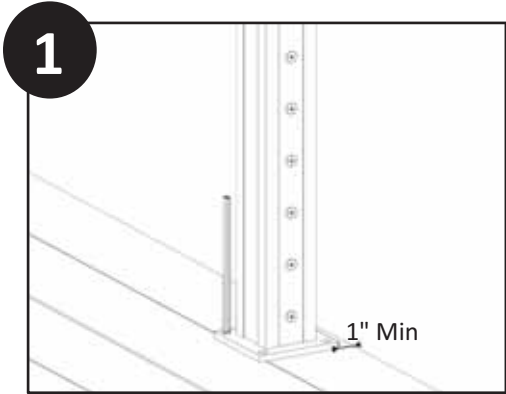
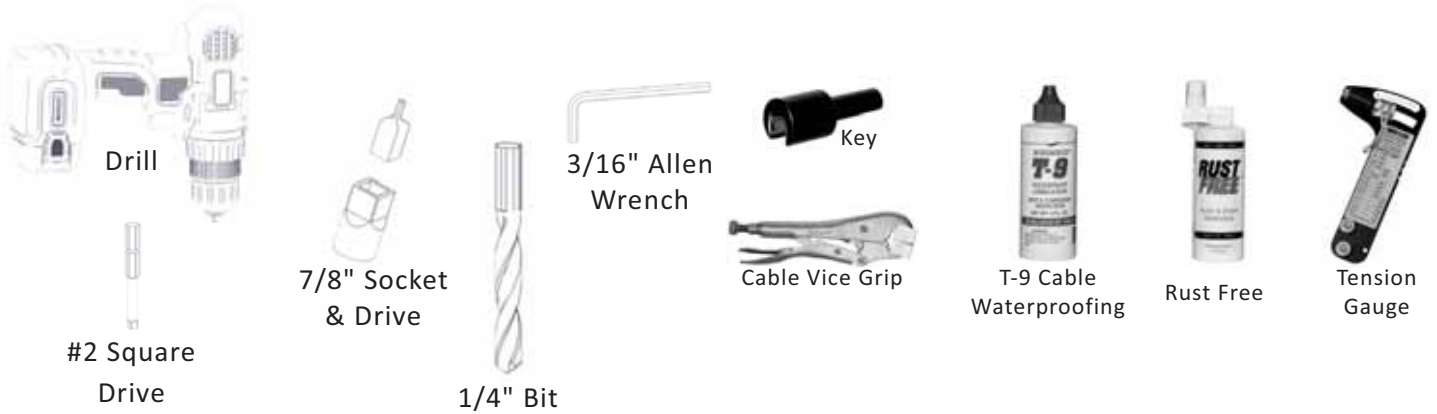
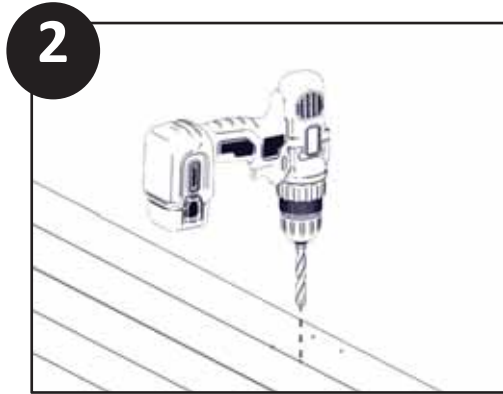


Cable Railing Installation Guide

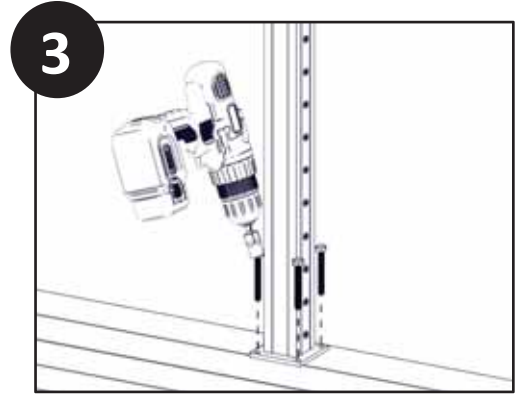
Cable Railing Kit Contents: (1) Top Rail; (2) Mounting Brackets with Hardware;
Center Baluster with baluster mounts & screws; (2) Cable Rail Posts with Trim & Caps; Cabling



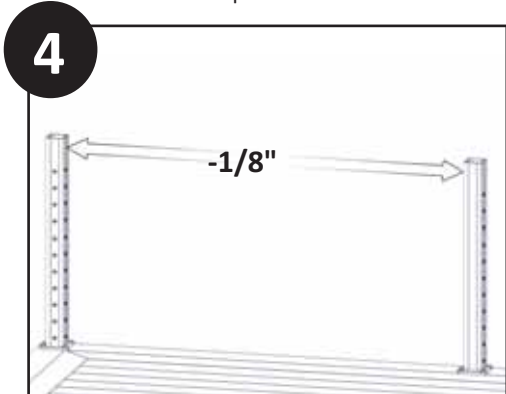
1 Measure & mark post placement evenly. Set each post with minimum of 1" from the edge of the post plate & deck or step. Mark each hole in the post plate on the deck or step for bolt placement.



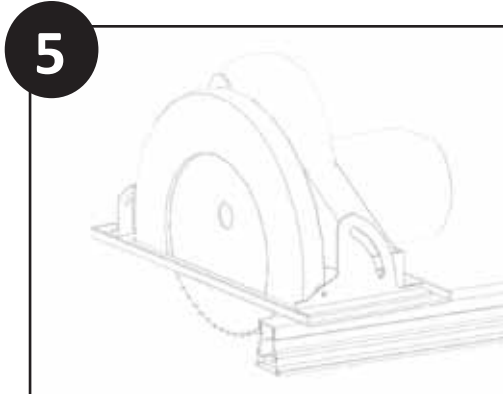
2 Pre-drill a 1/4" hole at each mark from the previous step.



3 Align post with drilled holes and drive mounting bolts into place.



4 Measure the distance between connecting faces of posts. When measuring a stair section measure at the angle of the stairs.



5 Cut top rail to length measured in step 4. When cutting a stair top rail ensure the angle of the stair is set on the saw.

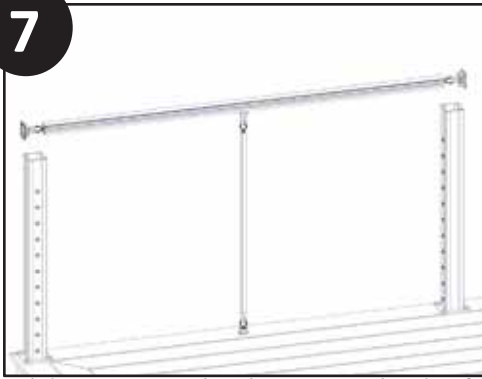


6 Attach a baluster mount centered on the bottom surface of the top rail and another to the deck or step aligned with the baluster mount on the bottom of the top rail.

- Remember to wear appropriate safety gear while assembling and installing!
- Applying paint, other than Key-Link's touch up paint, will void your warranty.
- To ensure proper coverage by our warranty please visit our website and complete the warranty form and mail to: Key-Link Fencing & Railing, Inc., 150 Orlan Road, New Holland, PA 17557

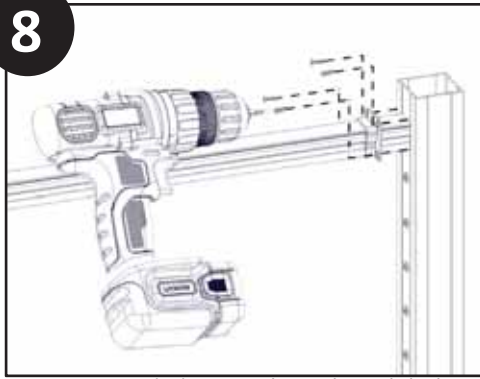
ADDITIONAL COMPONENTS SOLD SEPARATELY:
(2) 3-1/4" • 4" Aluminum Newel Posts
(2) Aluminum Newel Post Trim (2) Newel Post Caps

7



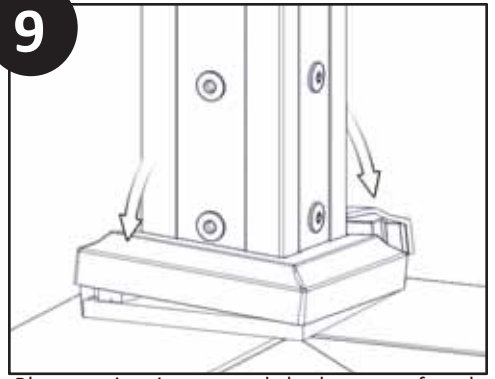
Slide a mounting bracket onto each side of the top rail. Set the baluster in the bottom baluster mount then lower the top rail into place ensuring the top baluster mount envelopes the baluster.

8



Drive a provided screw through each hole in the rail mounting bracket into the post.

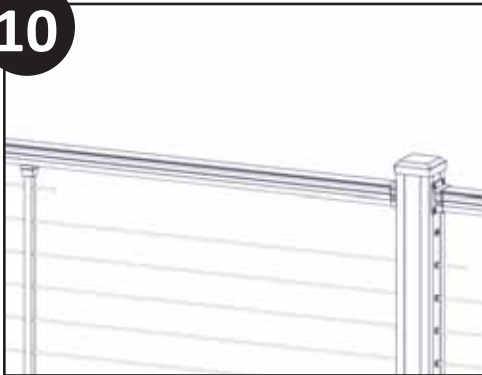
9



Place a trim ring around the bottom of each post rotating the halves into a position where they engage one another.

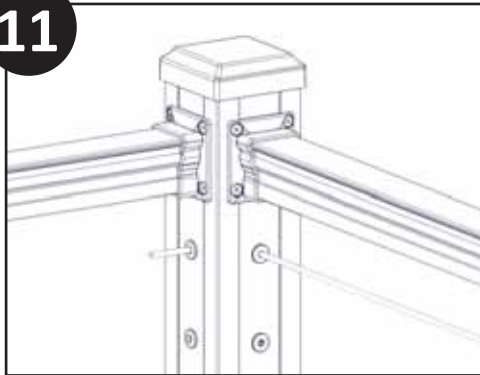
For stair sections skip to step 15 before continuing

10



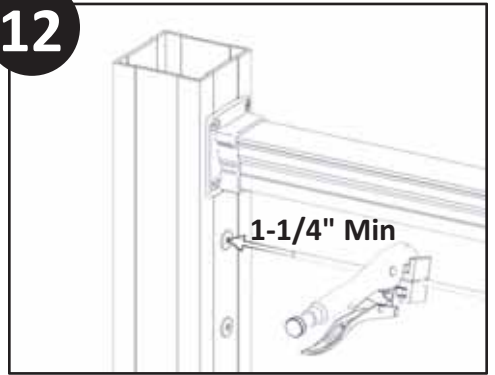
Using the provided needle connected to the end of each cable, insert each cable through it's hole in each baluster and channel in each line post.

11



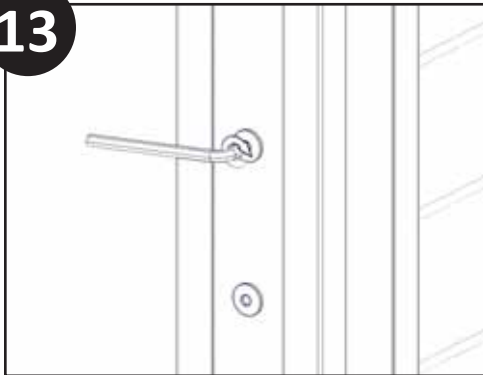
Insert each cable through it's channel in each corner post. This will require more force than the line post channel insertion.

12



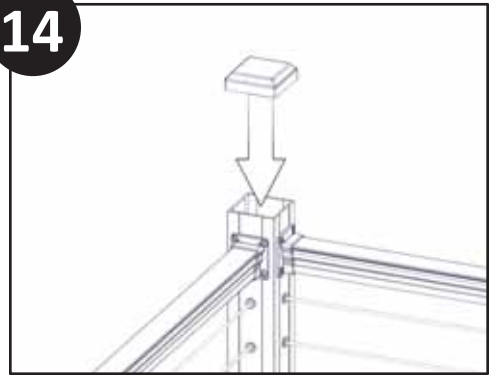
Using the cable vise grip, insert each cable a minimum of 1-1/4" into each end post receiver.

13



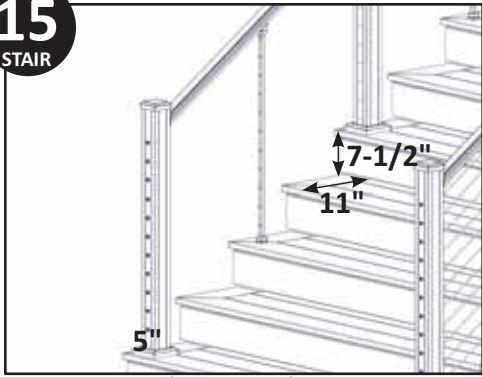
Using a tension gauge and 3/16" Allen Wrench tighten each cable, check local building code for amount of tension in cable.

14



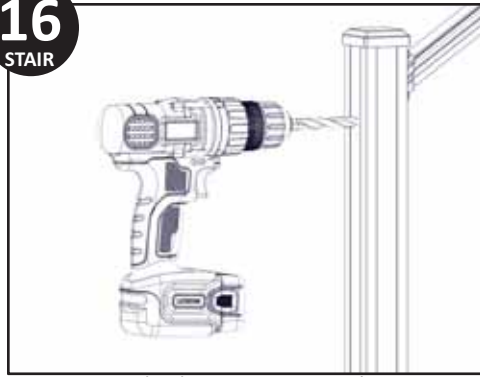
Place post caps on all posts. This may require a rubber mallet.

15
STAIR



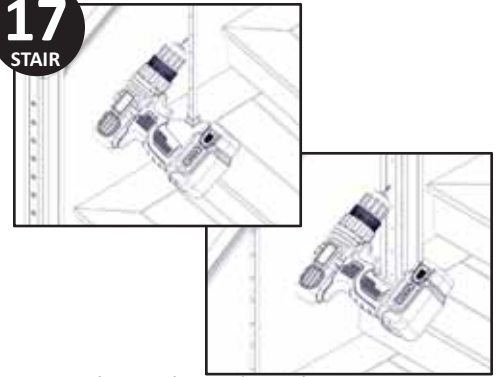
On stairs use the post with greater spacing to the bottom receiver for the bottom post. Standard posts can only be used on stairs when rise is 7-1/2" and run is 11". For any other dimensions, blank posts will need to be used and custom drilled

16
STAIR



For nonstandard stair sections, align a string with each hole in the top post &, keeping it the same distance from the nose of each step, run the string to the corner of the connecting face of the bottom post, marking the bottom post & each line post & baluster. Use each mark on the bottom post to drill a 17/32" hole through the front and back of the bottom post.

17
STAIR



Using the marks made in the previous step, drill 3/16" holes aligned with each mark on each line post and baluster at the angle of the stairs.

