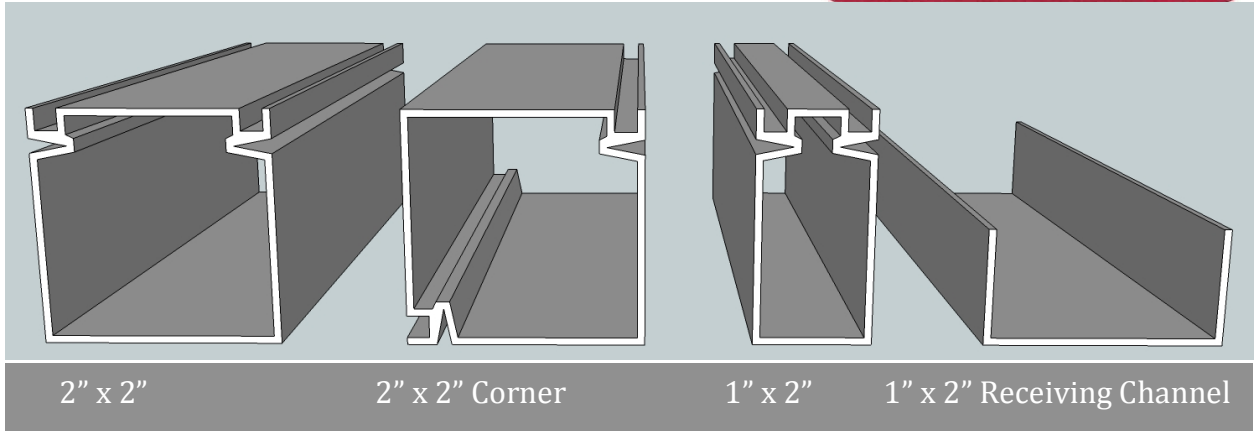


KD Aluminum Screened Porch Installation Instructions

Styleline



Step 1. Installing Receiving Channel (do not use floor Receiving Channel at door location)

Measure the floor opening from 1st support (house, etc.) to 2nd support (outside or intermediate post). Cut the Receiving Channel about $\frac{1}{4}$ " shorter than opening. Drill holes in the channel slightly larger than your lag screw and attach lag screws every 16" – 24" through the channel into the floor. Continue around the floor perimeter of your opening. When you complete the floor channel, attach the header channel in the same manner. When both header and floor channels are installed, measure the distance from the 1" lip of the header channel to the 1" lip of the floor channel at every vertical support. Cut the channel about $\frac{1}{4}$ " shorter than your opening and attach in the same manner as the floor and header channels.

Step 2. Installing Vertical 2x2's into Receiving Channel

At every location where there is a vertical receiving channel, measure the distance from the header to the floor and subtract about $\frac{1}{2}$ " to find the length of the vertical 2x2's and cut accordingly. Starting at the bottom, fit the 2x2 into the base channel and work it into the vertical channel until it is tightly seated. It should be touching the bottom channel, and be about $\frac{1}{2}$ " into the top channel. Check to make sure the 2x2 is perfectly level and use $\frac{5}{8}$ " self-tapping screws to secure it in 4 or 5 evenly spaced locations. Install a 2x2 into every vertical receiving channel.

NOTE: When framing out your doorway, Styleline's screen and storm doors are designed to fit into a 36" x 80 $\frac{1}{2}$ " opening. If you are using a different door, take note of the recommended opening size before framing your door.

Step 3. Installing Intermediate Vertical 2x2's (or 1x2's)

Refer to the drawing of your porch layout, showing where you will be installing your intermediate posts. Mark the top and bottom receiving channels for each 2x2 placement. Take a measurement from the header to the floor at each location and subtract about $\frac{1}{2}$ " to find the length of each intermediate post, and cut accordingly. With the 2x2 at an angle so the top is below the upper receiving channel, insert the bottom of the 2x2 into the base channel at the correct location. Straighten the 2x2 so it fits into the top channel. Making sure the 2x2 is level, attach it at the bottom with a $\frac{5}{8}$ " self-tapping screw. Check for level again and attach the top of the 2x2. Install the remainder of the intermediate 2x2's throughout your porch layout. **NOTE:** Door frame must use be all 2x2's

KD Aluminum Screened Porch Installation Instructions

The logo for Styleline, featuring the word "Styleline" in white, bold, sans-serif font on a red rectangular background.

Step 4. Installing Horizontal 2x2's into Receiving Channel

Take measurements between each vertical 2x2 at both the floor and header, and cut your horizontal 2x2's about 1/8" shorter than your measurement (there should not be a receiving channel on the floor at the door location). NOTE: If you are using a kick panel, you should use a 1x2 in the base channel instead of a 2x2. Making sure each piece is level, use 5/8" self-tapping screws in 3 or 4 locations through the receiving channel, into the 2x2. Every receiving channel will have a 2x2 inserted when you are completed.

Step 5. Installing Horizontal 2x2 for Door, Chair Rail, Kick Panel or Transom

Make marks on all vertical 2x2's at each intermediate cross piece location and take measurements between them. Cut your 2x2 (or 1x2) 1/8" shorter than that. Insert a mullion into the ends of each cross piece. At each marking, hold your cross piece in place with the mounting fin below the cross piece and attach one side with 5/8" self-tapping screws through the mullion into the vertical post. Making sure your cross piece is level, attach the opposite side with 5/8" self tapping screws. (If using a Kick Panel, insert Panel before installing cross piece)

Step 6. Install Threshold

Cut your threshold, if necessary, and attach to the floor at your door opening.

Step 7. Roll Screening into Framing

Measure the height of your opening and cut a length of screen 3" – 4" longer than the size of the opening. Starting at the top, roll the screening into the top frame using screen spline into the spline groove across the top of the opening. Then roll in either the left or right side from top to bottom. Keeping the screen tight, roll in the opposite side and finish by rolling in the bottom. Trim off the excess screen.

Step 8. Attach Door or Windows

See door or window instructions.

Deck Builder Outlet

11801 Southwest Highway
Palos Heights, IL 60463

800-966-9261

www.DeckBuilderOutlet.com

KD Aluminum Screened Porch



Frequently Asked Questions

Can I add a roof above the aluminum frame? Typically these frames are designed to fit into porch areas that have an existing roof, or under a 2nd story deck, which acts as the roof. If you don't have a roof, Styleline does make a roof structure that will work with these frames. Call us at 800-966-9261 to discuss more.

Can I add windows to the aluminum frames? Yes, the frames work perfectly with the V-4 Stacking, Riviera Slider or fixed storm windows. If you are going to use a fixed window above or below the sliding window, make sure you use a 2x2 cross piece so there will be sufficient room for the mounting flanges of both windows.

Does it help to caulk my porch? Many people like to seal their porch structure by putting a silicone caulk on all the Receiving Channels before installation. However, if you are not adding windows, the screens will allow water to get into your porch anyway, so caulk is not important.

What is the Kick Panel made of? The Kick Panel is .032 stucco embossed aluminum. It fits into the "V" groove in the 2x2 or 1x2 frames. Although not mandatory, it is best to run a bead of silicone caulk in the groove before inserting the Kick Panel to create a better seal.

How does the Chair Rail work? Inserting a Chair Rail, or intermediate horizontal frame into your design breaks your opening into 2 or more parts. If you use a 2x2 cross rail as your horizontal frame, you can add windows both above and below. Both the 1x2 and the 2x2 frames have 2 spline grooves so you can have separate upper and lower screened areas.

Will my enclosure be bug proof? Yes, as long as you have a tight seal behind the receiving channel. If you are attaching the channel to brick or any other uneven surface, you may have to modify the base or use caulk to seal any open space behind the receiving channel. Remember, bugs will come up through the floor too, so don't forget to close off the floor with screening.

Is there a warranty on the aluminum parts? Yes, Styleline offers a 20 Year Warranty on the frame finish.

Why does it cost so much to ship? When shipping items over 8', we are limited to using common carriers instead of UPS or FedEx. Our extrusions are all 16' long, which drives the shipping costs up substantially. If you can use all 8' pieces, call us and we can usually arrange for lower shipping charges.

Deck Builder Outlet
11801 Southwest Highway
Palos Heights, IL 60463
800-966-9261
www.DeckBuilderOutlet.com