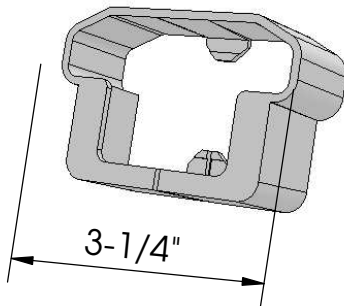
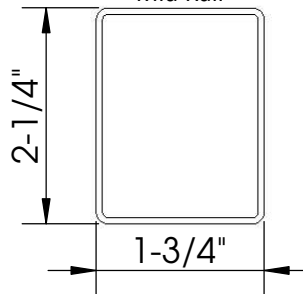


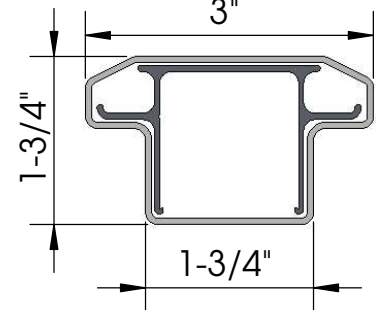
Top Rail Bracket Trim



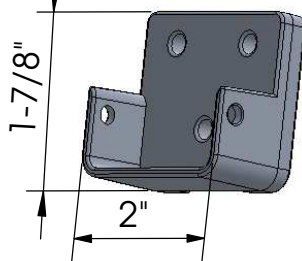
1-3/4"x2-1/4"
Mid Rail



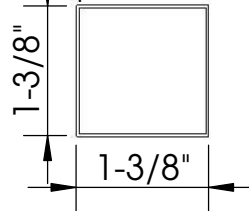
Top Rail Cutaway
w/ Aluminum Insert
3"



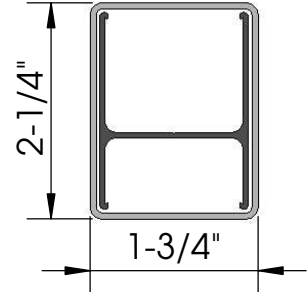
Bracket Base
(All Rails)



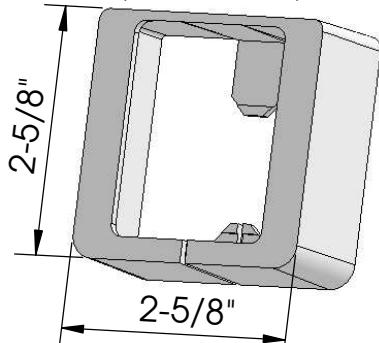
1-3/8"x1-3/8"
Square Baluster



Bottom Rail Cutaway
w/ Aluminum Insert



Rail Bracket Trim
(Bottom & Mid Rails)



Title: 6' Level M.I. LandMarke Rail Kit w/ Square Balusters

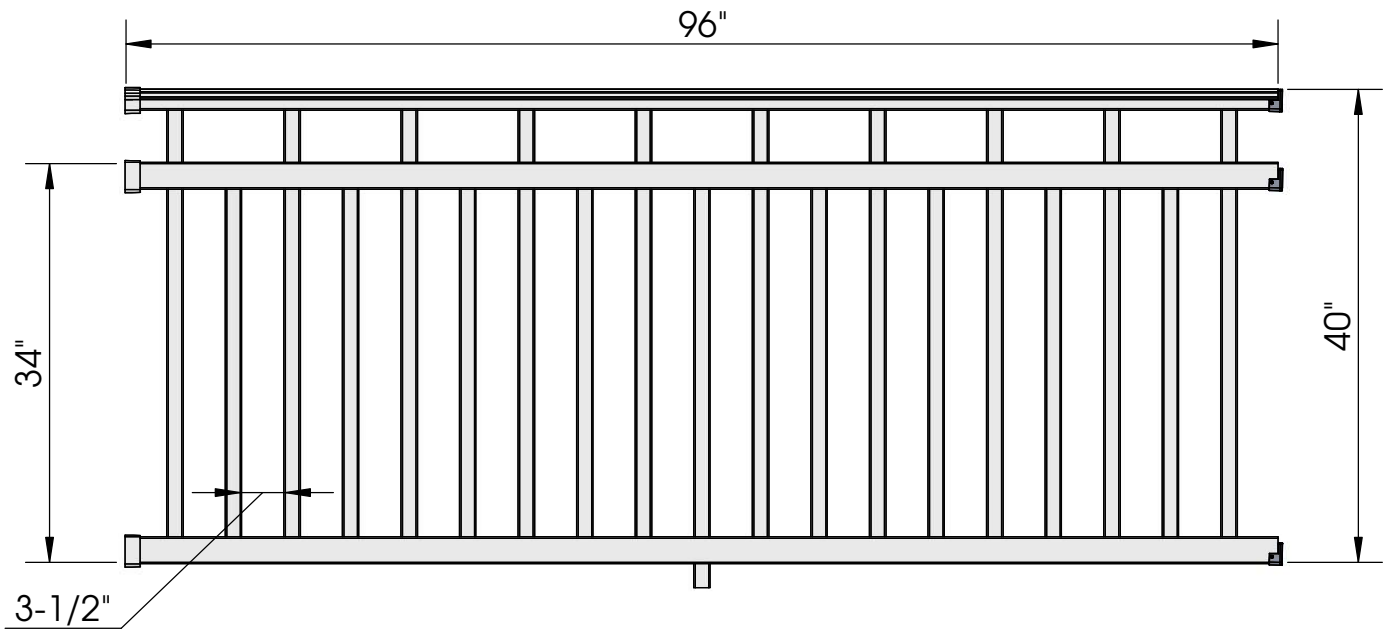
This drawing is the property of Fairway Building Products, L.P. Any hard copy of this drawing may not be current. This document and or images contained within may not be reproduced in publication format without express consent of Fairway Building Products, L.P. Drawings may not be to scale.

Fairway Building Products, L.P.

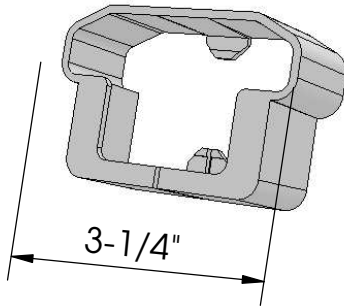
P.O. Box 37 Mount Joy, PA 17552

UOM	REF#	SCALE	SHEET#	DRAWN BY	Date	REV.
inch			1 of 1	FBP	9-16-13	

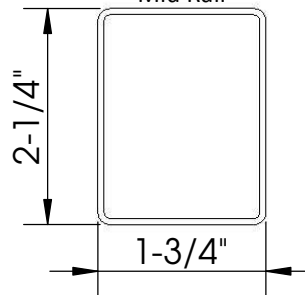
Dimensions and tolerances contained on drawings and figures are for reference only and may not encompass total allowable and approved dimensional variations.



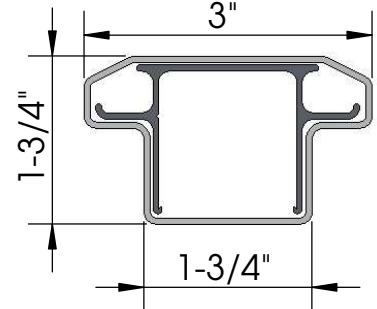
Top Rail Bracket Trim



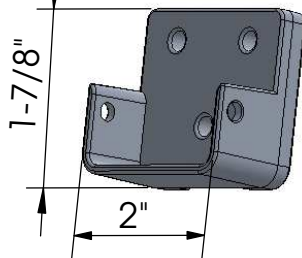
1-3/4"x2-1/4"
Mid Rail



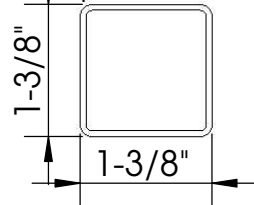
Top Rail Cutaway
w/ Aluminum Insert
3"



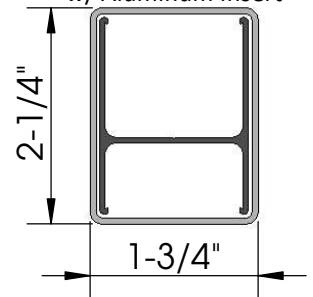
Bracket Base
(All Rails)



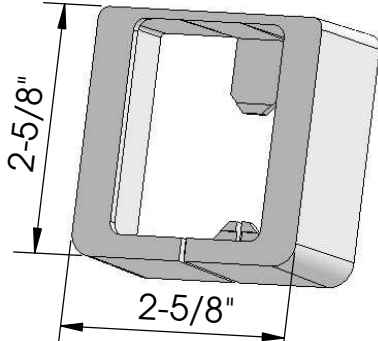
1-3/8"x1-3/8"
Square Baluster



Bottom Rail Cutaway
w/ Aluminum Insert



Rail Bracket Trim
(Bottom & Mid Rails)



Title: 8' Level M.I. LandMarke Rail Kit w/ Square Balusters

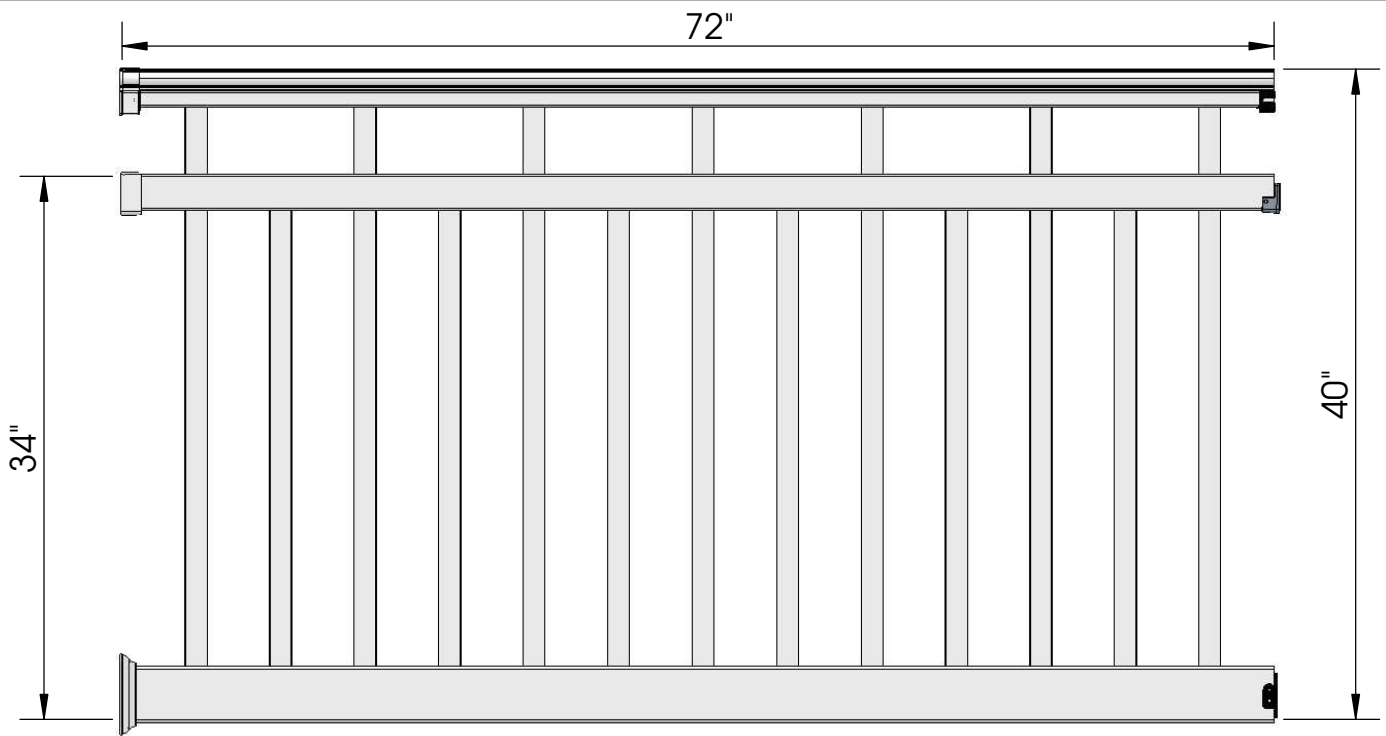
This drawing is the property of Fairway Building Products, L.P. Any hard copy of this drawing may not be current. This document and or images contained within may not be reproduced in publication format without express consent of Fairway Building Products, L.P. Drawings may not be to scale.

Fairway Building Products, L.P.

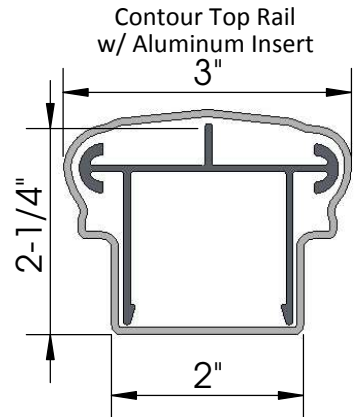
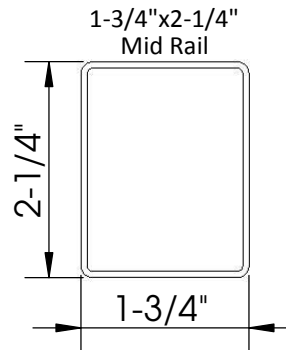
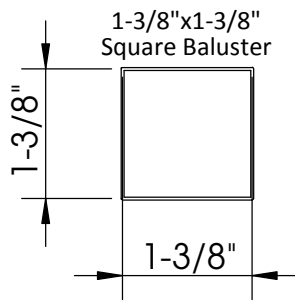
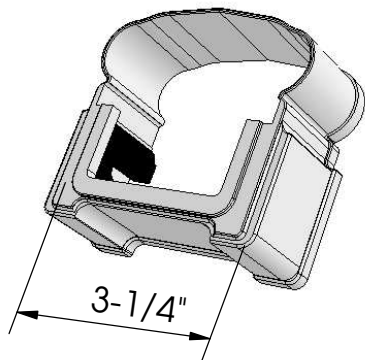
P.O. Box 37 Mount Joy, PA 17552

UOM	REF#	DRAWN BY	Date	REV.
inch		FBP	9-16-13	
SCALE	SHEET#			
	1 of 1			

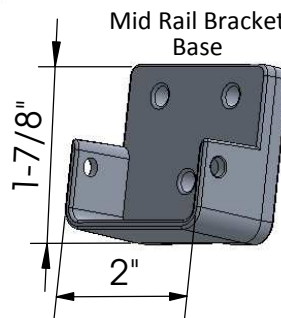
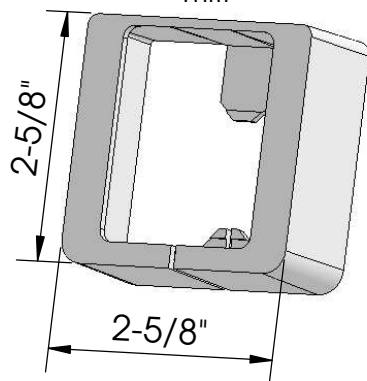
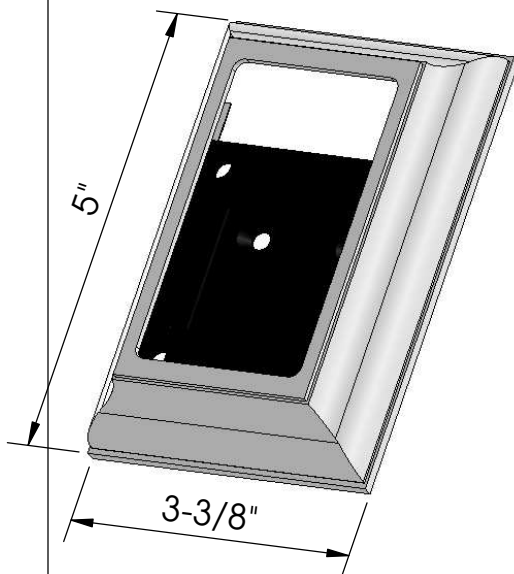
Dimensions and tolerances contained on drawings and figures are for reference only and may not encompass total allowable and approved dimensional variations.



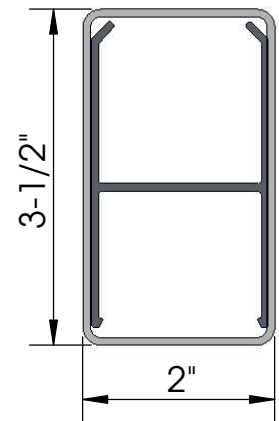
Contour Level Mounting Bracket



Mid Rail Bracket Trim

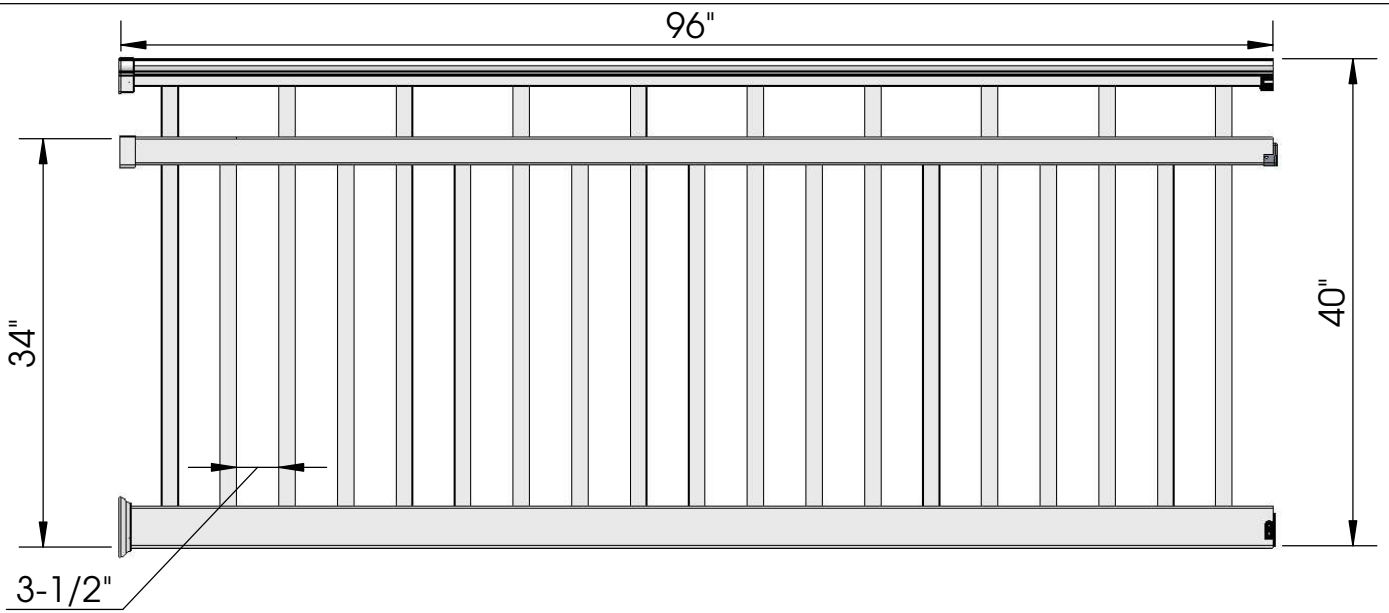


Standard Bottom Rail w/ Aluminum Insert

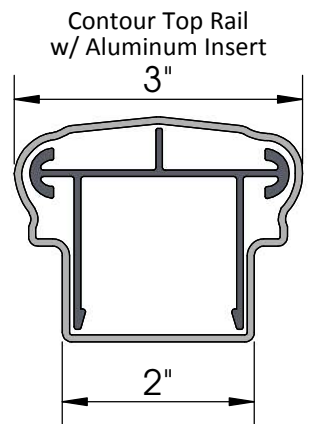
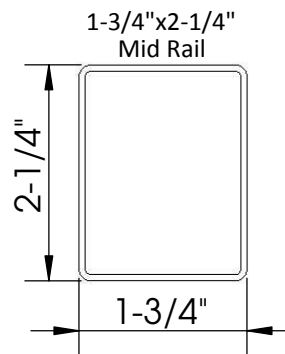
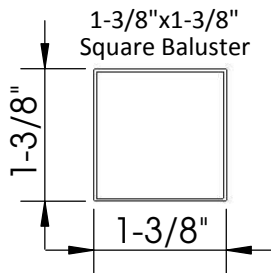
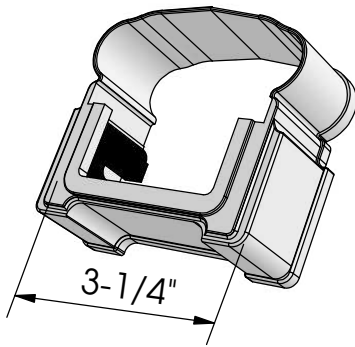


Title: 6' Level M.I. Contour Rail w/ Square Balusters			
This drawing is the property of Fairway Building Products, L.P. Any hard copy of this drawing may not be current. This document and or images contained within may not be reproduced in publication format without express consent of Fairway Building Products, L.P. Drawings may not be to scale.			
Fairway Building Products, L.P.		P.O. Box 37 Mount Joy, PA 17552	
UOM	REF#	SCALE	SHEET#
inch		1 of 1	1
DRAWN BY	Date	REV.	
FBP	9-16-13	1	

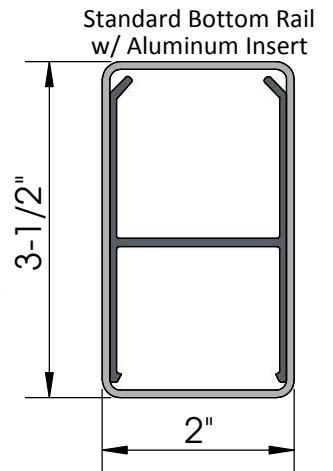
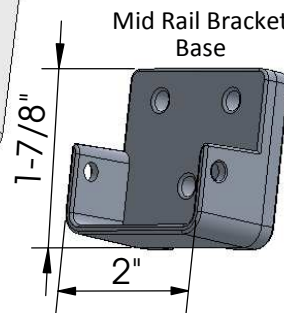
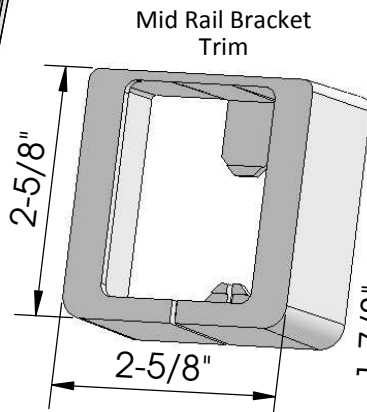
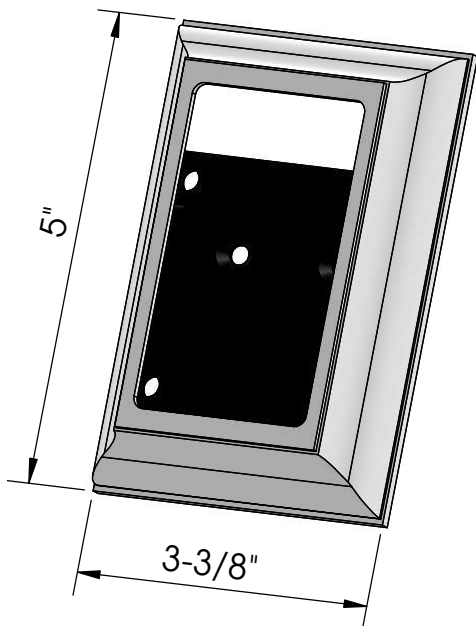
Dimensions and tolerances contained on drawings and figures are for reference only and may not encompass total allowable and approved dimensional variations.



Contour Level Mounting Bracket

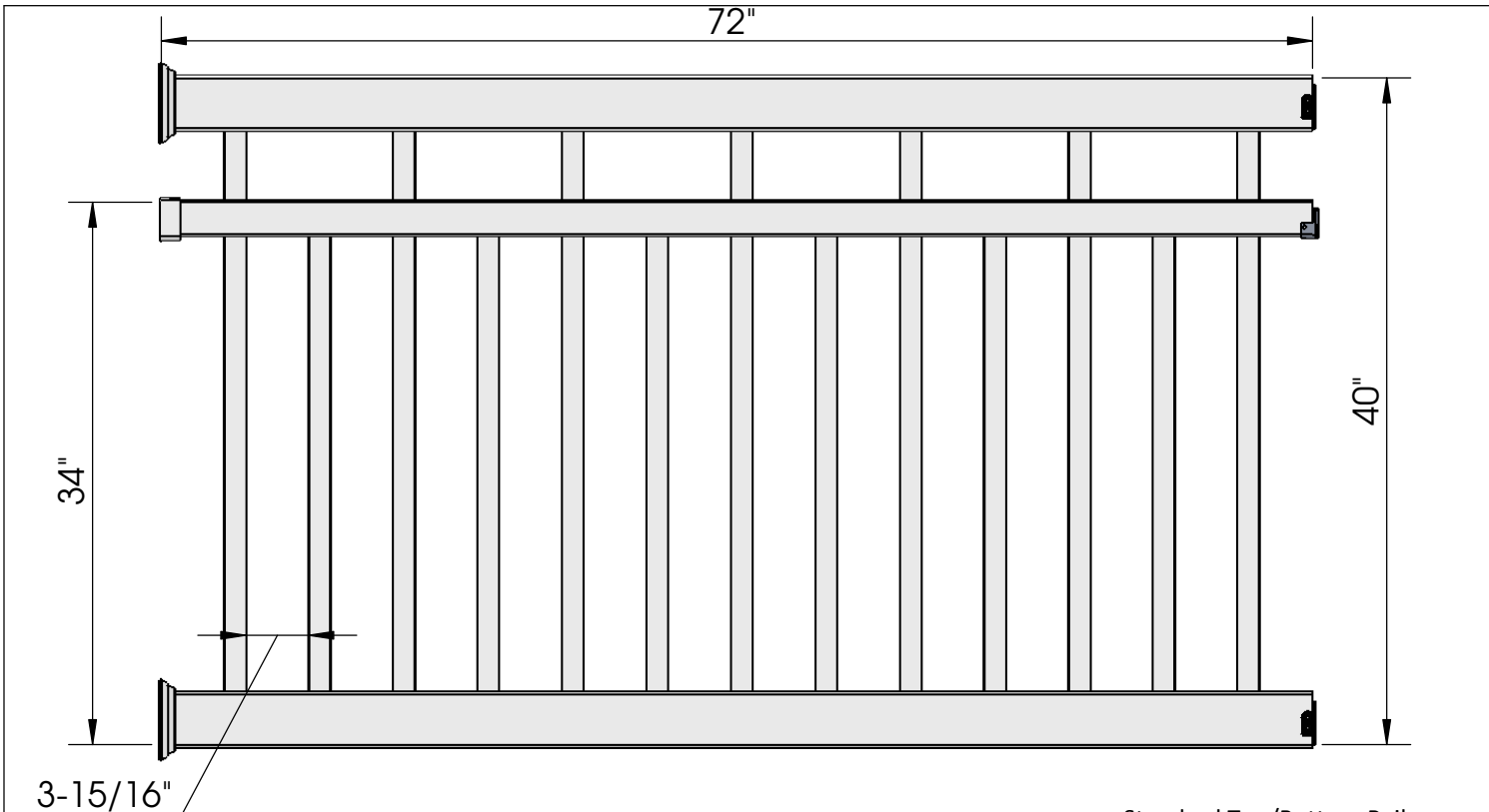


Standard Level Mounting Bracket

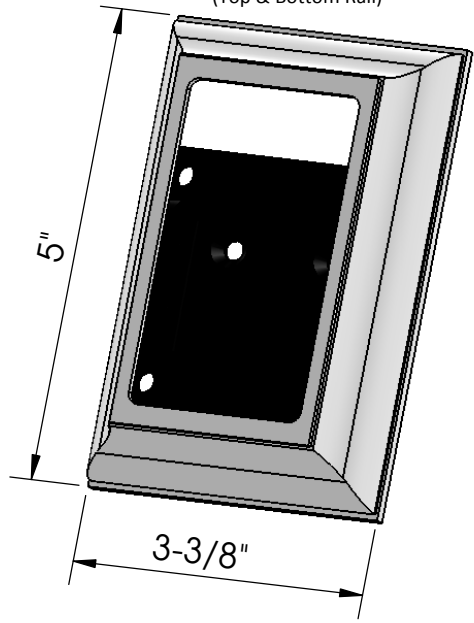


Title: 8' Level M.I. Contour Rail w/ Square Balusters			
This drawing is the property of Fairway Building Products, L.P. Any hard copy of this drawing may not be current. This document and or images contained within may not be reproduced in publication format without express consent of Fairway Building Products, L.P. Drawings may not be to scale.		Fairway Building Products, L.P. P.O. Box 37 Mount Joy, PA 17552	
UOM inch	REF#	DRAWN BY FBP	REV. 1
SCALE 1 of 1	SHEET#	Date 9-16-13	

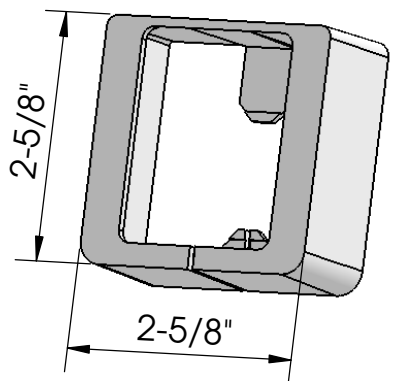
Dimensions and tolerances contained on drawings and figures are for reference only and may not encompass total allowable and approved dimensional variations.



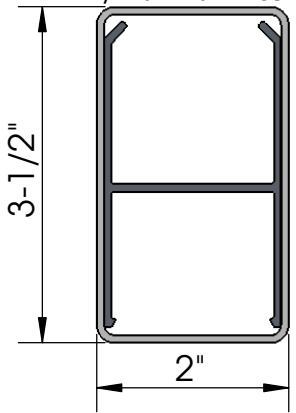
Standard Level Mounting Bracket
(Top & Bottom Rail)



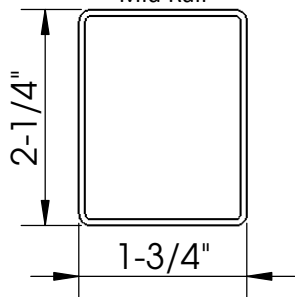
Mid Rail Bracket
Trim



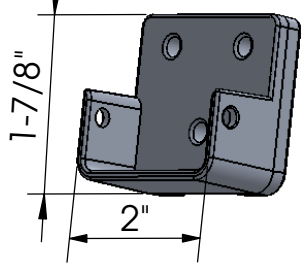
Standard Top/Bottom Rail
w/ Aluminum Insert



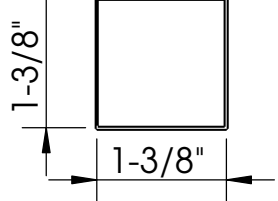
1-3/4"x2-1/4"
Mid Rail



Mid Rail Bracket
Base



1-3/8"x1-3/8"
Square Baluster

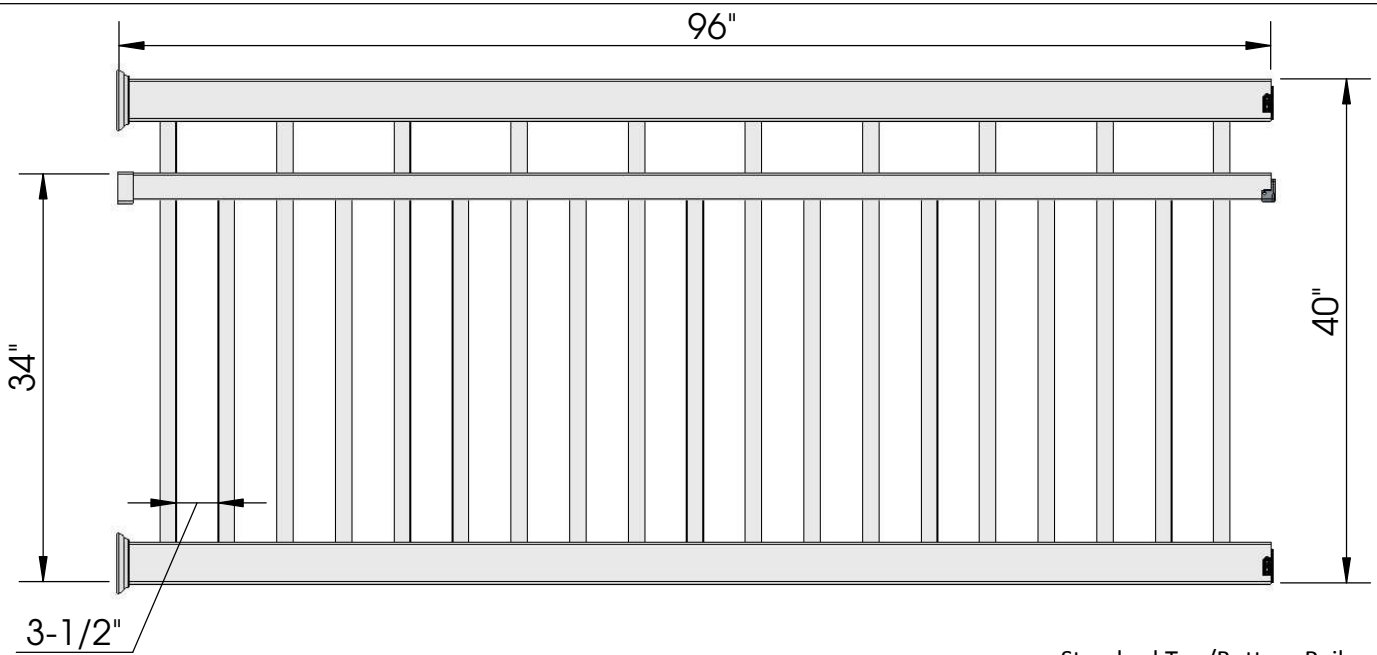


Title: 6' Level M.I. Standard Rail w/ Square Balusters

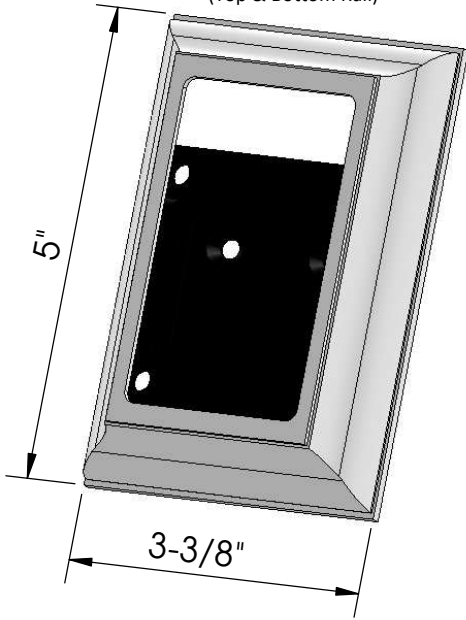
This drawing is the property of Fairway Building Products, L.P. Any hard copy of this drawing may not be current. This document and or images contained within may not be reproduced in publication format without express consent of Fairway Building Products, L.P. Drawings may not be to scale.

Fairway Building Products, L.P.	
P.O. Box 37 Mount Joy, PA 17552	
UOM	REF#
inch	
SCALE	SHEET#
1 of 1	
DRAWN BY	Date
FBP	9-16-13
REV.	

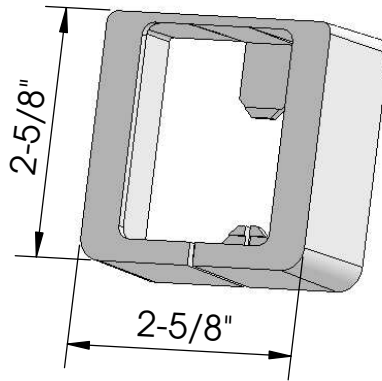
Dimensions and tolerances contained on drawings and figures are for reference only and may not encompass total allowable and approved dimensional variations.



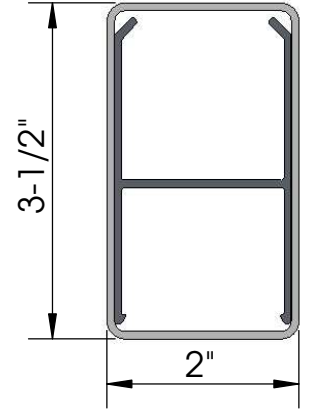
Standard Level Mounting Bracket
(Top & Bottom Rail)



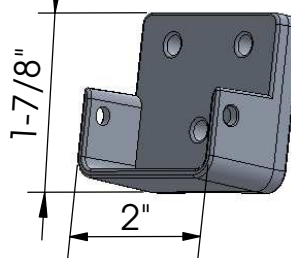
Mid Rail Bracket
Trim



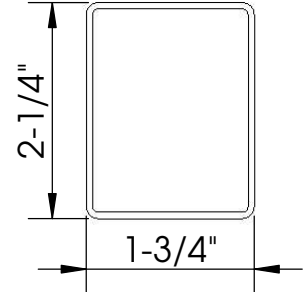
Standard Top/Bottom Rail
w/ Aluminum Insert



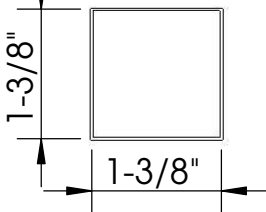
Mid Rail Bracket
Base



1-3/4"x2-1/4"
Mid Rail



1-3/8"x1-3/8"
Square Baluster



Title: 8' Level M.I. Standard Rail w/ Square Balusters

This drawing is the property of Fairway Building Products, L.P. Any hard copy of this drawing may not be current. This document and or images contained within may not be reproduced in publication format without express consent of Fairway Building Products, L.P. Drawings may not be to scale.

Fairway Building Products, L.P.

P.O Box 37 Mount Joy, PA 17552

UOM	REF#	REV.
inch		
SCALE	SHEET#	DRAWN BY
	1 of 1	FBP
		Date
		9-16-13

Dimensions and tolerances contained on drawings and figures are for reference only and may not encompass total allowable and approved dimensional variations.