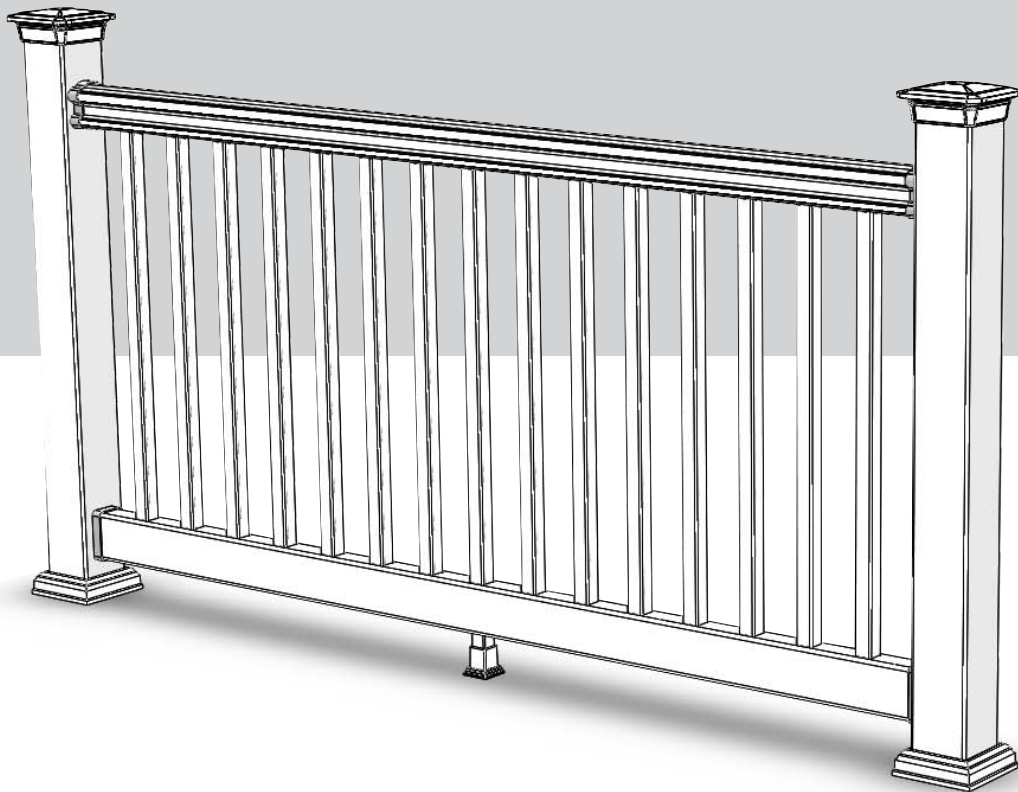


# fiberon<sup>®</sup>

# Good Life<sup>™</sup>

Low Maintenance Composite Railing

## INSTALLATION INSTRUCTIONS



Manufactured by

**fiberon<sup>®</sup>**

fiberondecking.com  
800.573.8841



MADE IN USA

## Good Life Railing Installation Template Instructions



Top Rail Profile

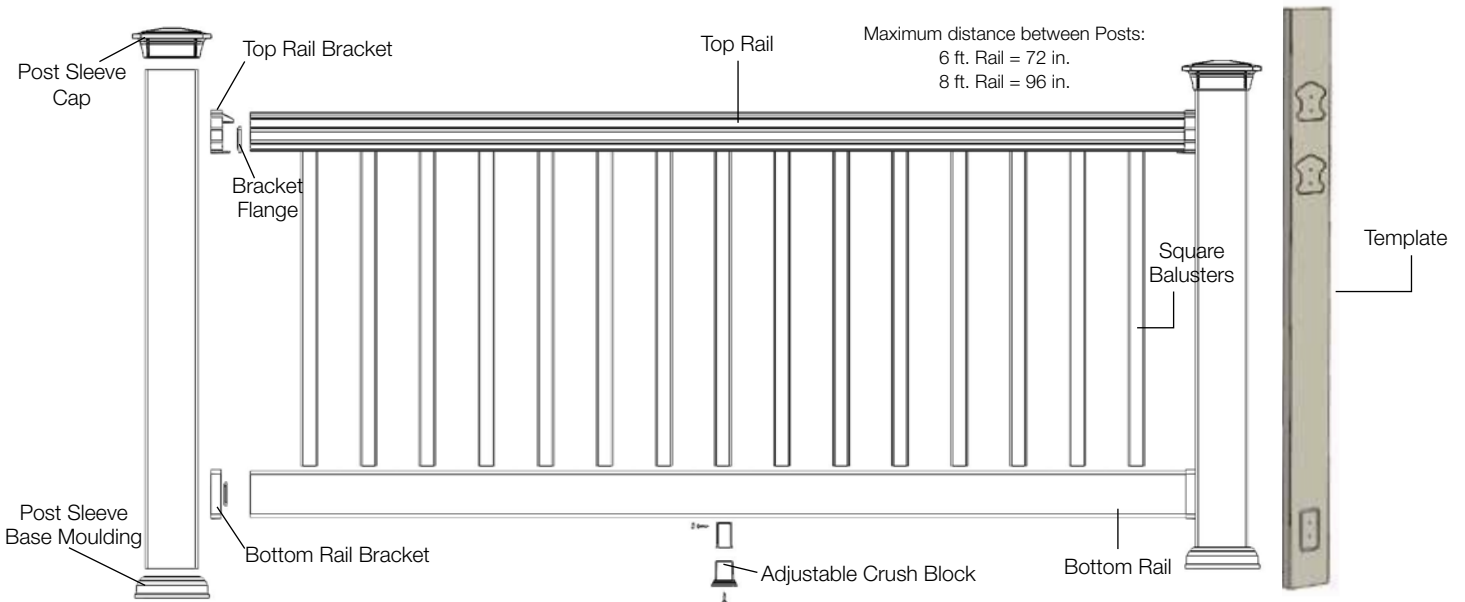


Bottom Rail Profile

### Required Tools and Supplies:

- Power Drill
- 1/8 in. Drill Bit
- #2 Square Head Bit
- Protective Eye Wear
- Tape Measure
- Level
- Screw Driver, Phillips #2
- Speed Square
- Miter Saw
- Pencil
- Adjustable Square

### Railing component list for each section:



**NOTE:** Rail lengths will vary slightly due to manufacturing processes. Make sure rails are cut properly to correct length, and with hole pattern centered between posts before securing.

**Prior to installing railing:** Please consult local zoning laws in regards to load requirements and bottom space requirements for Rails. All supporting structures must be in accordance with applicable building codes. Neighborhood associations and/or historic districts may regulate size, placement and type of Railing. Apply for permits if required by local authorities and codes. Ensure compliance prior to installation. Local building code requirements will always supersede any and all suggested procedures and measurements in the following installation. The following installation instructions are intended as a general guideline based on common building practices used in Railing installation.

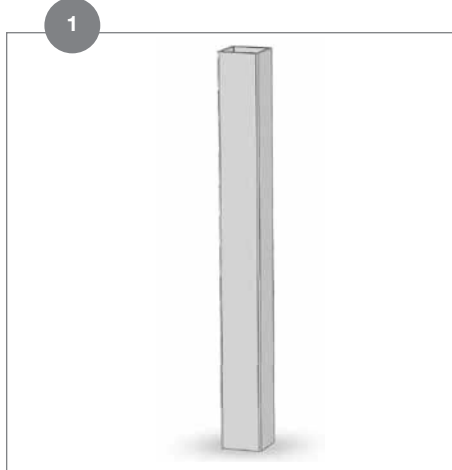
When Top and Bottom Rail length is greater than the distance between Posts, trim both Top and Bottom Rail ends to maintain uniform Baluster spacing. Measure distance, subtract 1/2 in. from measurement (1/4 in. on each side) to allow for Brackets and Keyways. Slide Post Sleeve Base Moulding over each Post prior to installing Bottom Rails and press securely into place.



**Rail Installation:** Trim both ends of Rail to maintain uniform Baluster spacing. It is critical to ensure the trim mark does not create an open Baluster Insert hole at the end of the Rail where the Bracket is attached.

# Good Life Line Rail Installation Template Instructions

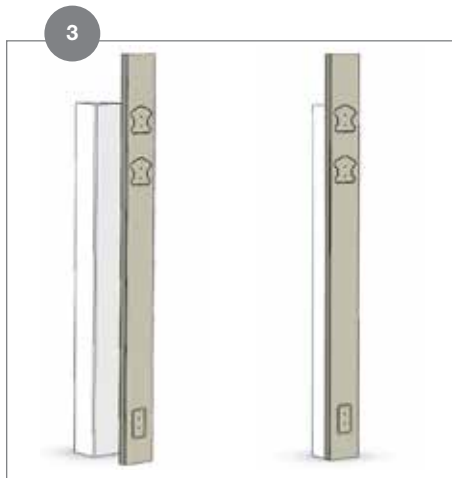
**NOTE: Make sure Posts are plumb and level prior to installing the Railing.**



Cover 4x4 posts or Fiberon Surface Mount Bracket with Post Sleeve and verify spacing. Posts should be plumb in both directions.

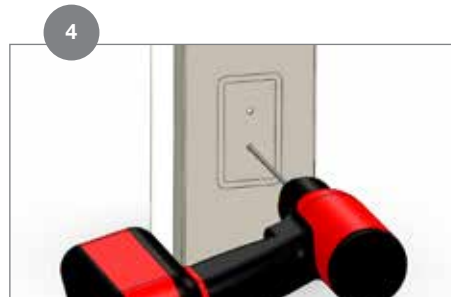


Fold the long edges on each side of the template along the perforated lines.

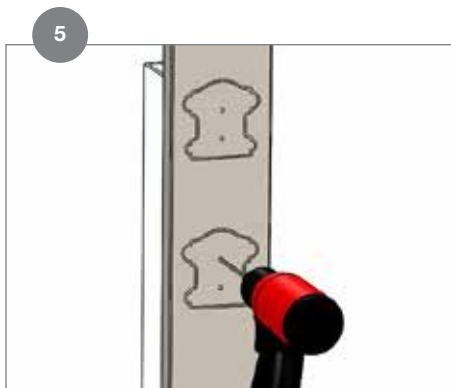


Place the Template against the Post on the side the railing is to be installed with the base of the template resting on the deck surface.

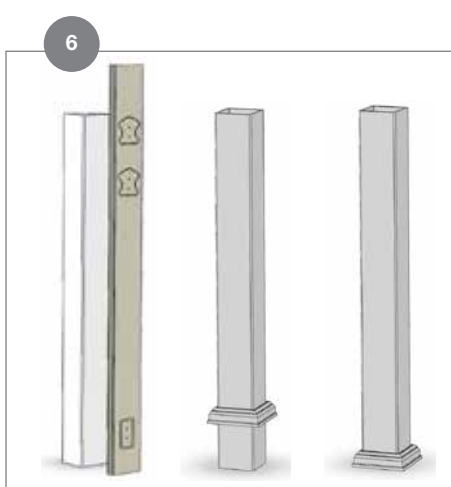
**Note: Template can be held in place with tape or a rubber band.**



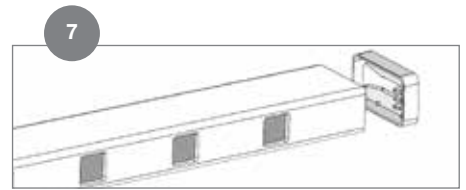
Locate punched Template holes for the Bottom Rail Bracket Keyways and pre-drill holes into the Post using 1/8 in. bit.



Depending on local code requirements, locate and pre-drill Top Rail Bracket Keyway holes into the Post with 1/8 in. bit at a 36 in. or 42 in. rail height.



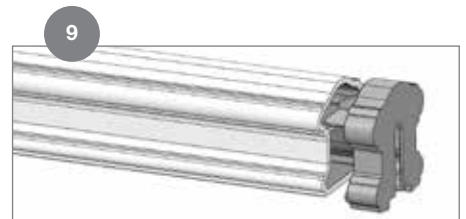
Repeat steps 2 through 5 on all Posts where Line Rail brackets are to be installed. Remove the Template and place the Post Sleeve Base Moulding over Post Sleeve and slide it down to the deck surface.



Measure the distance between Posts, then subtract 1/2 in. for the Brackets. Center the Bottom Rail hole pattern within this dimension and cut to length. Place Bottom Rail Brackets over cut Bottom Rail, and place between Posts checking for snug fit.



Remove the Bottom Rail Brackets, align Top and Bottom Rail Holes and mark the cut length on the Top Rail.



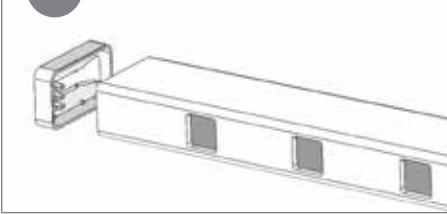
Cut Top Rail length, place the Top Rail Brackets on both ends and check for a snug fit.



With the flat part of the Keyway facing away from the Post, attach the Top and Bottom Rail Keyways to the Post supplied 1-1/2 in. screws. Do not over tighten.

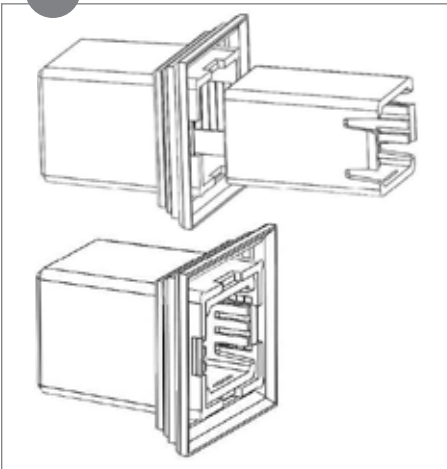
## Good Life Line Rail Installation Template Instructions

11



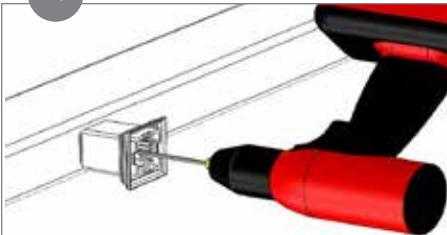
Place Bottom Rail Brackets onto both ends of Bottom Rail.

12



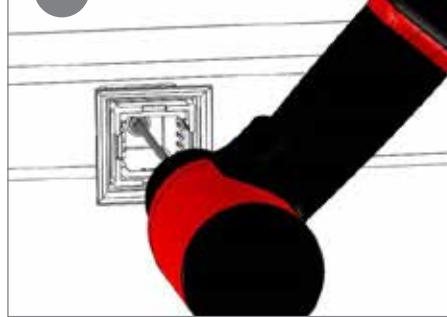
NOTE: if the Adjustable Crush Block is not already assembled simply push the Center up through the Base, making sure that the compression wings align with the ridges inside the core. Insert until the first “click” is heard. If the center is inserted too far, it can be pushed through completely.

13



Find the center point on the bottom face of the Bottom Rail. Pre-drill a hole with a 1/8 in. bit.

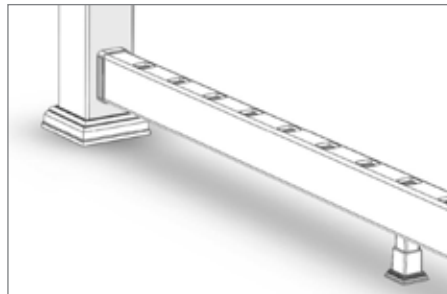
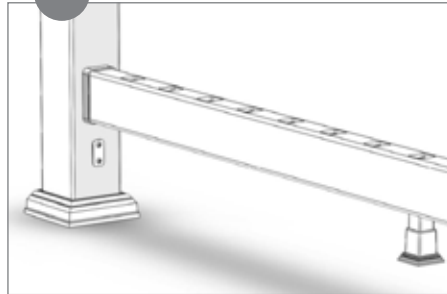
14



Secure the Adjustable Crush Block with the supplied 3/4 in. screw. Do not over tighten.

If 8 ft. Rail is being used, find 1/3 point on bottom face of Bottom Rail as 2 Adjustable Crush Blocks are needed.

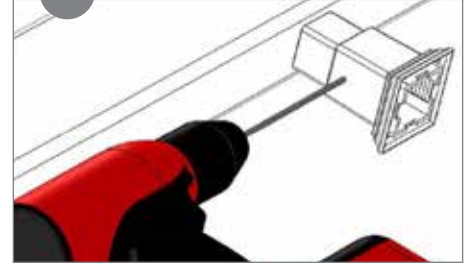
15



With the Adjustable Crush Block(s) installed, reposition the Bottom Rail and Rail Brackets between the Posts. Slowly push downward until the Brackets are fully engaged with the Keyways.

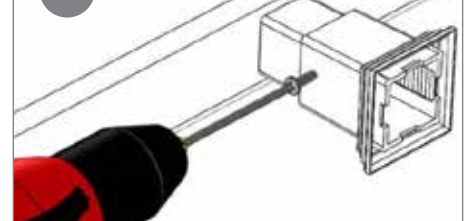
TIP: If required, use a rubber faced mallet to engage the Keyways. It may be necessary to loosen them slightly if engagement is not possible.

16



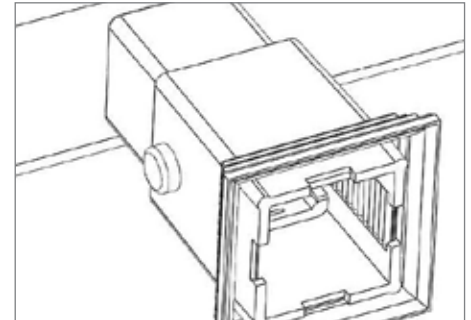
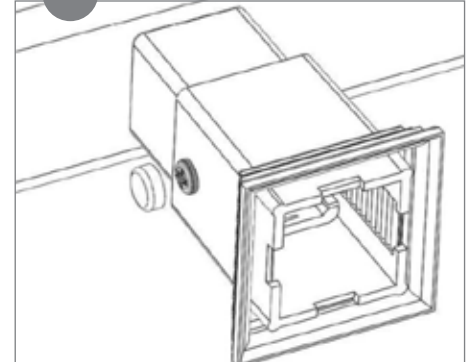
Extend the Adjustable Crush Block to the desired length. Lock the Block in place by drilling a 1/8 in. hole into one face.

17



Secure with the supplied 3/4 in. screw. Do not over tighten.

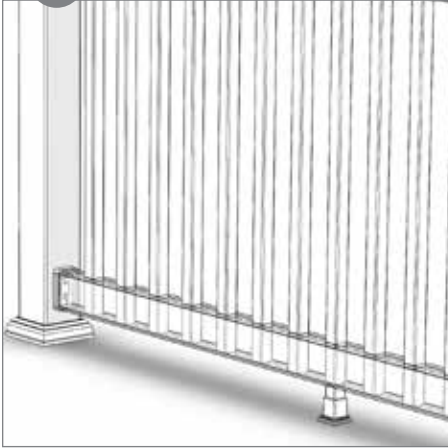
18



Cover the exposed head of the screw with the supplied Screw Cap.

# Good Life Line Rail Installation Template Instructions

19



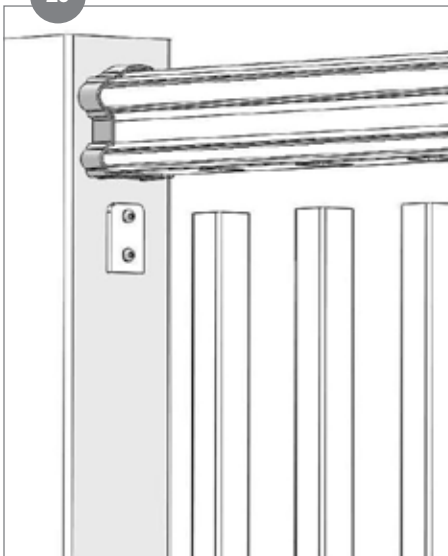
Insert all Balusters in Bottom Rail.

21



Pre-drill two evenly spaced holes through the bottom of the Top Bracket.

20



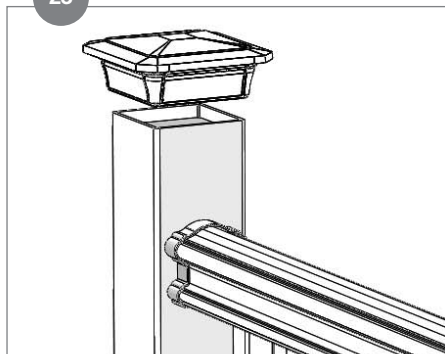
Position Top Rail assembly between Posts and over Balusters. Working from one side to the other, slowly lower Top Rail in place to engage Keyways.

22



Secure the Top Rail using the two 2-1/2 in. retaining screws. Do not over tighten.

23

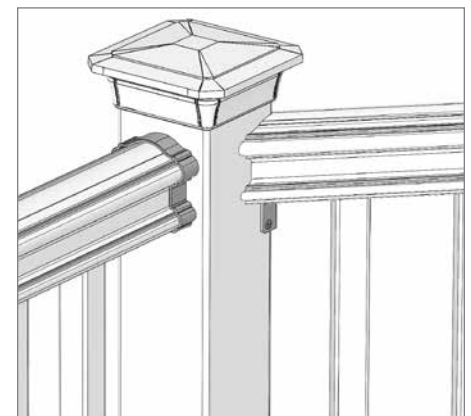


Complete the assembly by positioning and gluing Post Sleeve Caps in place.

## Good Life Rail Angle Installation:



For horizontal angle applications, use the metal Angle Bracket mounted on corner of the Post Sleeve as illustrated above.





Top Rail Profile

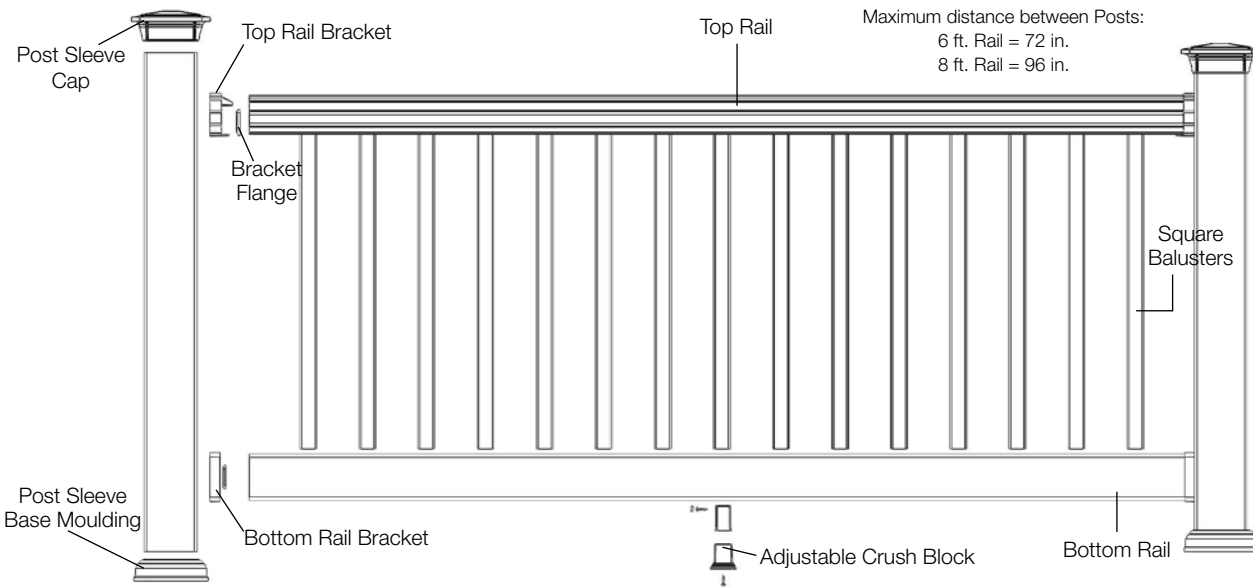


Bottom Rail Profile

**Required Tools and Supplies:**

- Power Drill
- 1/8 in. Drill Bit
- #2 Square Head Bit
- Protective Eye Wear
- Tape Measure
- Level
- Screw Driver, Phillips #2
- Speed Square
- Miter Saw
- Pencil
- Adjustable Square
- Template

**Railing component list for each section:**



**NOTE:** Rail lengths will vary slightly due to manufacturing processes. Make sure rails are cut properly to correct length, and with hole pattern centered between posts before securing.

**Prior to installing railing:** Please consult local zoning laws in regards to load requirements and bottom space requirements for Rails. All supporting structures must be in accordance with applicable building codes. Neighborhood associations and/or historic districts may regulate size, placement and type of Railing. Apply for permits if required by local authorities and codes. Ensure compliance prior to installation. Local building code requirements will always supersede any and all suggested procedures and measurements in the following installation. The following installation instructions are intended as a general guideline based on common building practices used in Railing installation.

When Top and Bottom Rail length is greater than the distance between Posts, trim both Top and Bottom Rail ends to maintain uniform Baluster spacing. Measure distance, subtract 1/2 in. from measurement (1/4 in. on each side) to allow for Brackets and Keyways. Slide Post Sleeve Base Moulding over each Post prior to installing Bottom Rails and press securely into place.

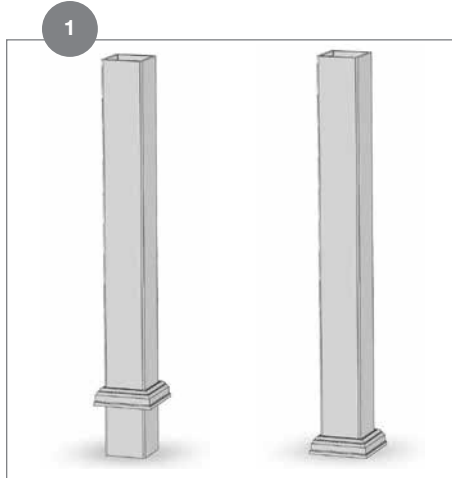


**Rail Installation:** Trim both ends of Rail to maintain uniform Baluster spacing. It is critical to ensure the trim mark does not create an open Baluster Insert hole at the end of the Rail where the Bracket is attached.

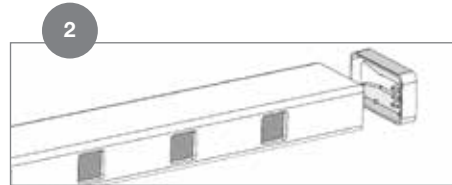
# Good Life Line Rail Installation Instructions

(without template)

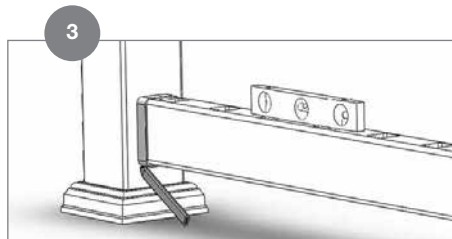
**NOTE:** Make sure Posts are plumb and level prior to installing the Railing.



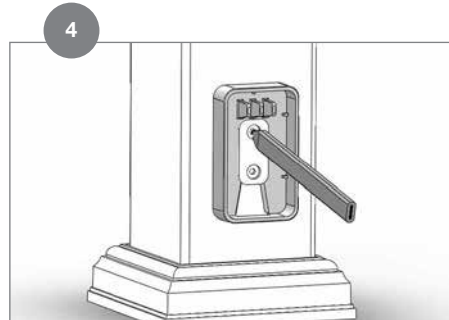
Cover 4x4 posts or Fiberon Surface Mount Bracket with Post Sleeve and verify spacing. Posts should be plumb in both directions. Place Post Sleeve Base Moulding over Post Sleeve and slide it down to the deck surface.



Measure the distance between Posts, then subtract 1/2 in. for the Brackets. Center the hole pattern within this dimension, then align Top and Bottom Rail holes and cut both Top and Bottom Rails together to length. Insert Bottom Rail Brackets over cut Bottom Rail, and place between Posts checking for snug fit.



Support the Rail at the desired height using scraps of Balusters or wood. Using a level, center the rail between the Posts, then mark the Bracket locations with a light line under the Brackets.



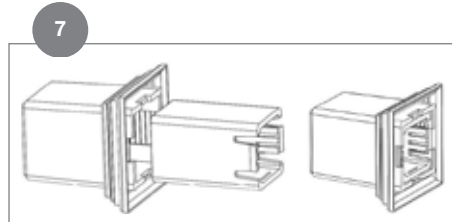
Remove the Bottom Rail from the Brackets. Engage a Keyway into the Bottom Brackets and mark hole locations.



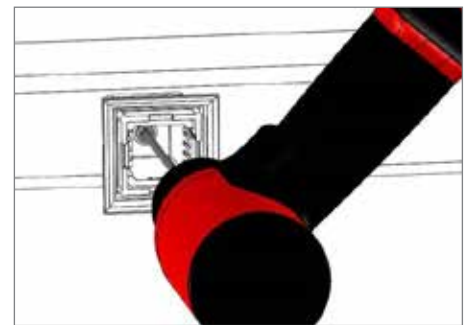
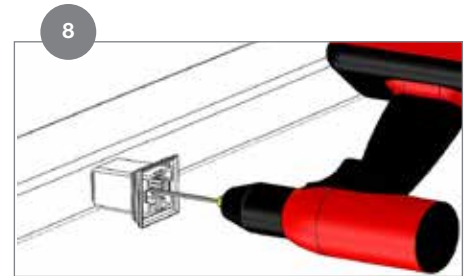
Pre-drill holes using a 1/8 in. bit (Keyway shown for clarity).



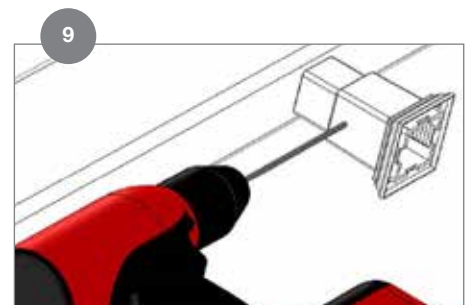
With the flat part of the Keyway facing away from the Post, secure the Keyway ONLY with supplied 1-1/2 in. screws. Do not over tighten.



To assemble the Adjustable Crush Block simply push the Center up through the Base, making sure that the compression wings align with the ridges inside the core. Insert until the first "click" is heard. If the center is inserted too far, it can be pushed through completely.

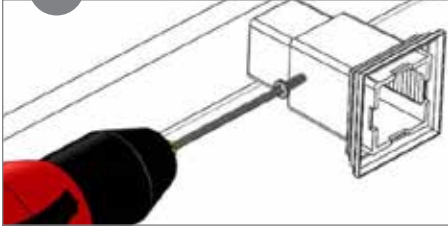


Find the center point on the bottom face of the Bottom Rail. Pre-drill a hole with a 1/8 in. bit. Secure the Adjustable Crush Block with the supplied 3/4 in. screw. Do not over tighten. If 8 ft. Rail is being used, find 1/3 point on bottom face of Bottom Rail as 2 Adjustable Crush Blocks are needed.



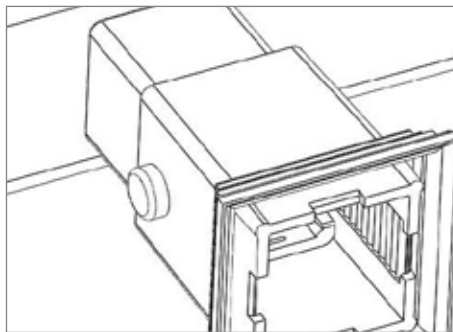
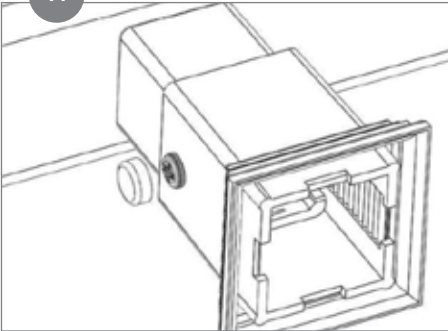
Extend the Adjustable Crush Block to the desired length. Lock the Block in place by drilling a 1/8 in. hole into one face, and securing with the supplied 3/4 in. screw. Do not over tighten.

10



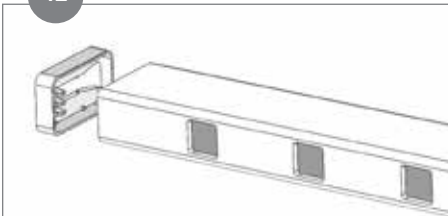
Secure with the supplied 3/4 in. screw. Do not over tighten.

11



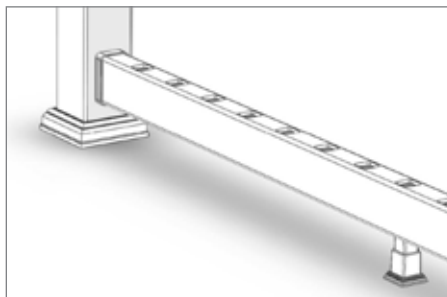
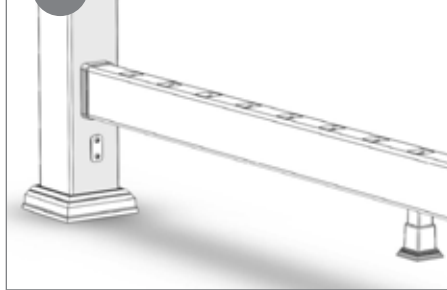
Cover the exposed head of the screw with the supplied Screw Cap.

12



Place Bottom Rail Brackets onto both ends of Bottom Rail.

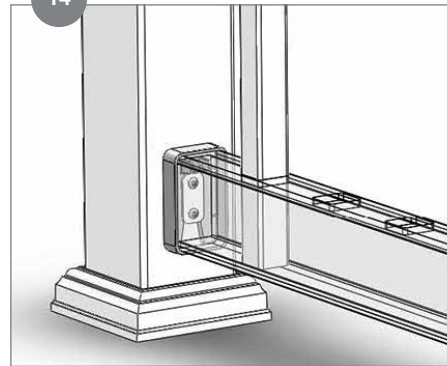
13



With the Adjustable Crush Block(s) installed, reposition the Bottom Rail and Rail Brackets between the Posts. Slowly push downward until the Brackets are fully engaged with the Keyways.

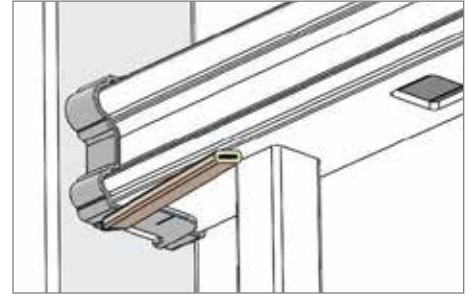
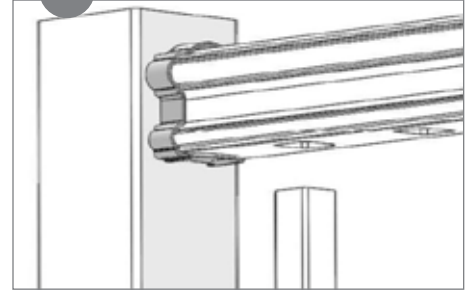
TIP: If required, use a rubber faced mallet to engage the Keyways. It may be necessary to loosen them slightly if engagement is not possible.

14



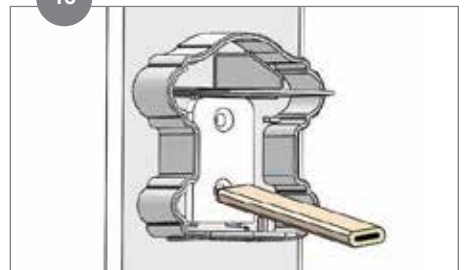
Insert a Baluster in the first hole at both ends of the Bottom Rail.

15



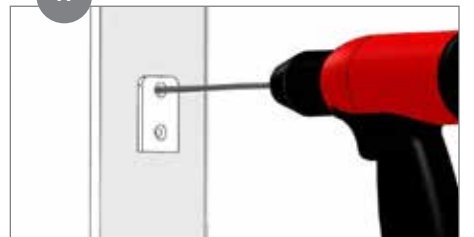
Fit top brackets in place onto the Top Rail. Lower the Top Rail and Brackets over the two Balusters until Top Rail is fully seated onto Balusters and mark bottom edge of Top Bracket with a light line.

16



Remove the Top Rail from the Brackets. Reposition the Bracket, engage a Keyway and mark hole locations.

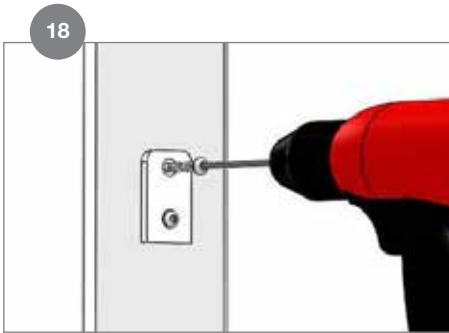
17



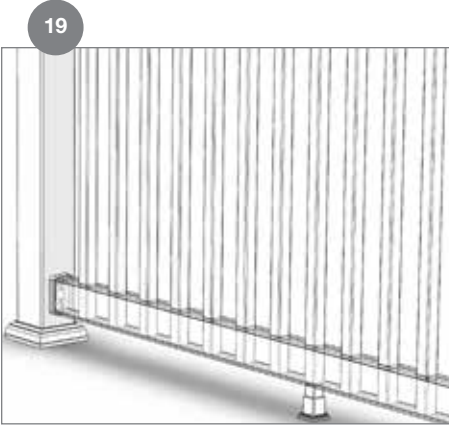
Pre-drill holes using a 1/8 in. drill bit. (Keyway shown for clarity).



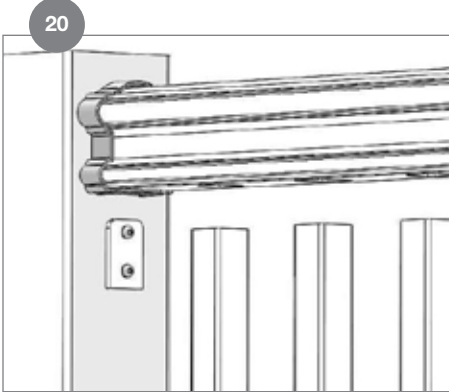
# Good Life Line Rail Installation Instructions (without template)



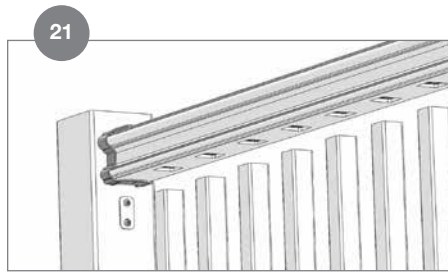
With the flat part of the Keyway facing away from the Post, secure the Keyways ONLY to the Post with supplied 1-1/2 in. screws. Do not over tighten.



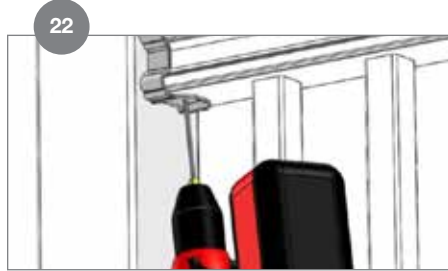
Insert all Balusters in Bottom Rail.



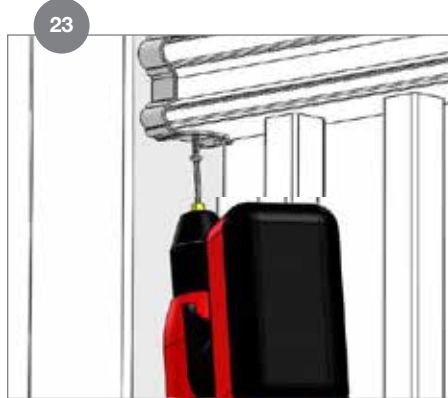
Replace Top Brackets onto Top Rail, then reposition assembly between Posts and over Balusters.



Working from one side to the other, slowly lower Top Rail in place to engage Keyways.



Pre-drill two evenly spaced holes through the bottom of the Top Bracket.



Secure the Top Rail using the two 2-1/2 in. retaining screws. Do not over tighten.



Complete the assembly by positioning and gluing Post Sleeve Caps in place.

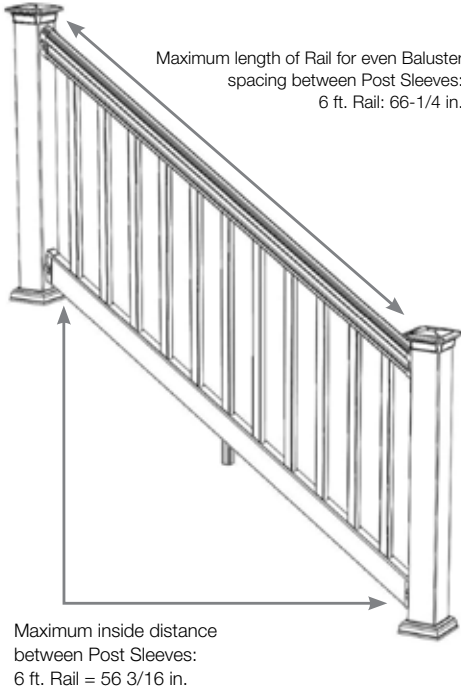
## Good Life Rail Angle Installation:



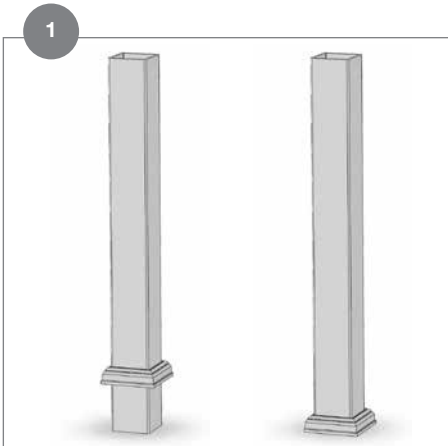
For horizontal angle applications, use the metal Angle Bracket mounted on corner of the Post Sleeve as illustrated above.



## Good Life Stair Rail Installation Instructions



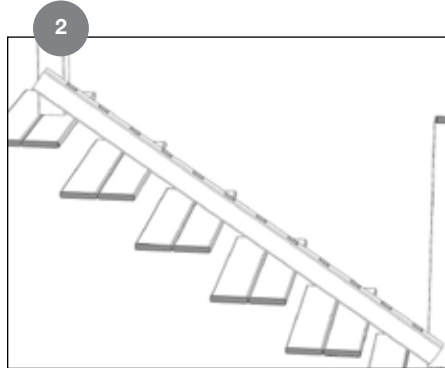
Building codes are very specific on allowable angles and widths. It is very important to consult with your local building code officials and plan your stair layout accordingly. Ensure that you leave adequate space for graspable hand rail if applicable. "Dry fitting" intermediate post placement will result in easier and better looking installations, and may avoid placement of post mounting brackets in areas where screws cannot attaché to the guardrail.



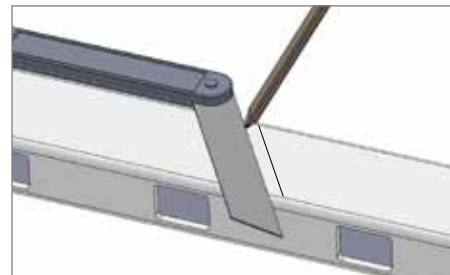
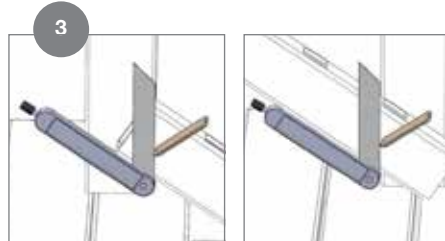
Install 4x4 Posts in the pre-determined locations, cover with Post Sleeve and verify spacing. Posts should be plumb in both directions. Place Post Sleeve Base Moulding over Post Sleeve and slide it down to the deck surface.

**NOTE:** The slope of the stairs can be 32-36 degrees .

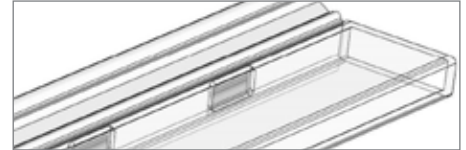
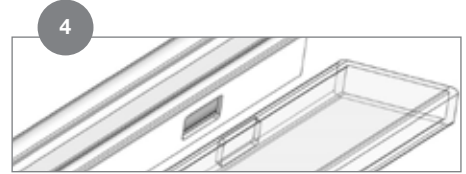
**NOTE:** Rail lengths will vary slightly due to manufacturing processes. Make sure Rails are cut properly to correct length, and with hole pattern centered between Posts before securing.



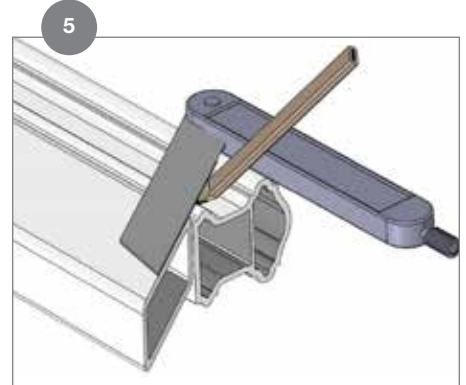
Center the hole pattern between the Posts, leaving a minimum of 1-1/2 in. from Post to first Baluster hole on each Rail end.



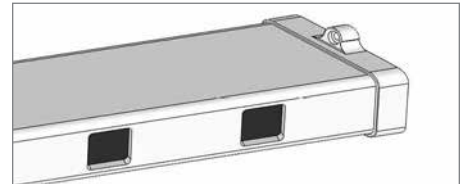
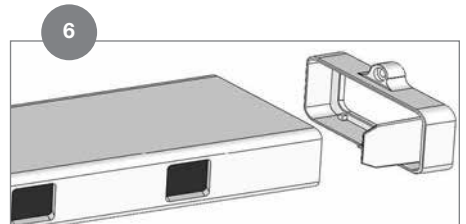
Mark the angle on the Bottom Rail using the inside of each post. Draw a parallel line 1/4" inside each line for clearance inside the stair brackets (entire rail should be 1/2" shorter than original lines).



After checking the fit of the Bottom Rail, align the holes in the Bottom Rail with the holes in the Top Rail.

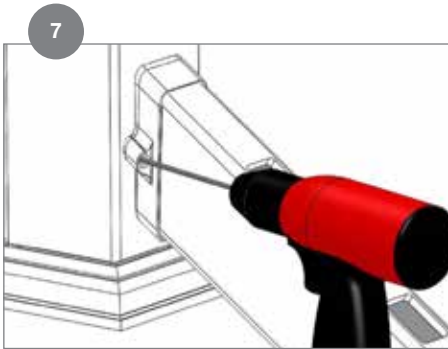


Transfer the cut angle and cut Top Rail to length.



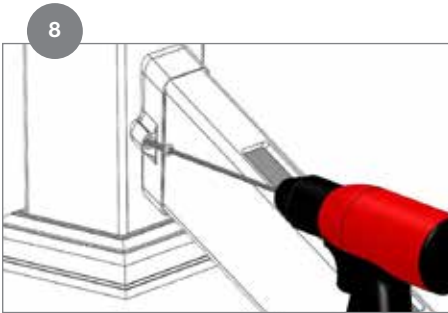
Insert the Bottom Stair Bracket onto both ends for the Bottom Rail. Place Bottom Rail with Brackets between Posts and check for a snug fit.

# Good Life Stair Rail Installation Instructions



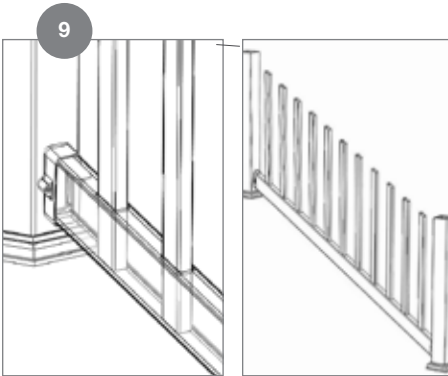
Pre-drill holes with a 1/8 in. drill bit.

**TIP:** Using extended drill bits is recommended to prevent damage to the Rail, and allow a more perpendicular driving angle.

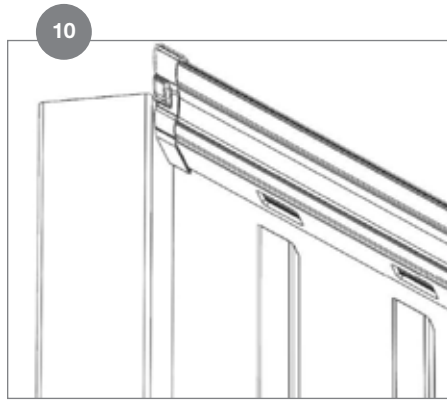


Secure using the supplied 1-1/2 in. screws. Do not over tighten.

**TIP:** The use of a long bit extension, or a flexible extension will help with accessing the screw heads.



Insert all Balusters into the holes in the Bottom Rail. Cutting Stair Balusters at an angle to provide a more secure fitting is optional. It may be necessary to cut Stair Balusters to create the desired guard height.

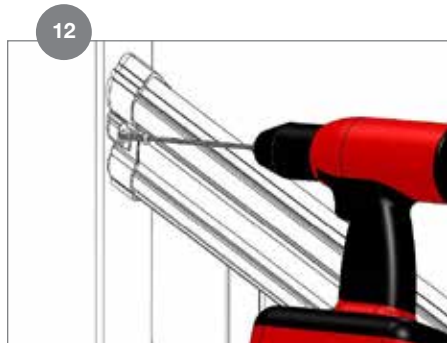


Place the Top Brackets onto the ends of the Top Rail. Slowly lower the Top Rail and Brackets into place between the Posts, until fully seated, inserting each Baluster starting from one end and working to the other.

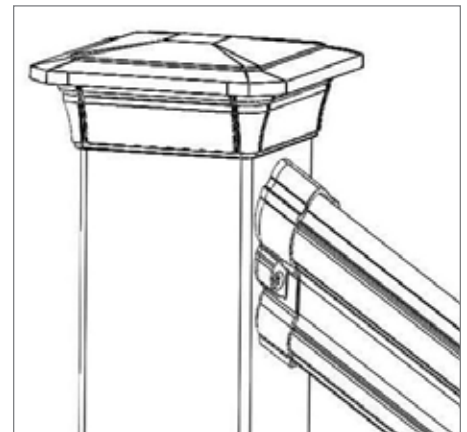
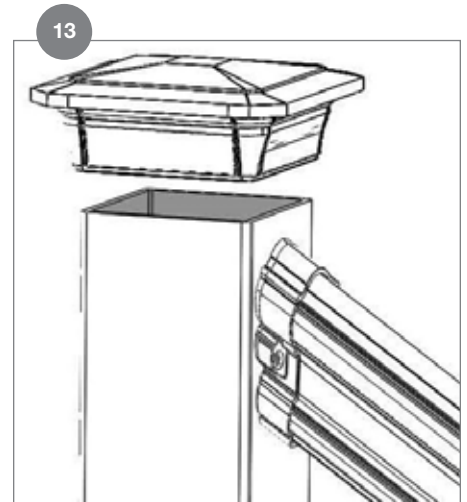


Using the Top Bracket as a guide, carefully pre-drill the holes with 1/8 in. bit.

**TIP:** Using an extended drill bit is recommended to prevent damage to the Rail, and allow a more perpendicular driving angle.



Secure using the supplied 1-1/2 in. screws. Do not over tighten.



Complete the assembly by positioning and gluing the Post Sleeve Cap in place and a Crush Block at the approximate mid-point of the Bottom Rail using a quality exterior adhesive.

# Design Grid

---



fiberondecking.com  
800.573.8841